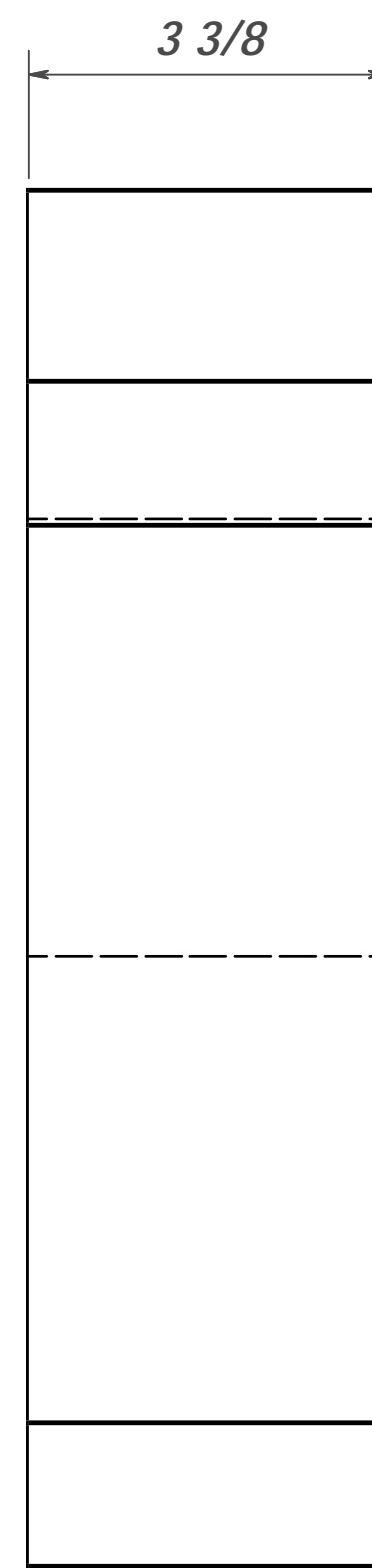
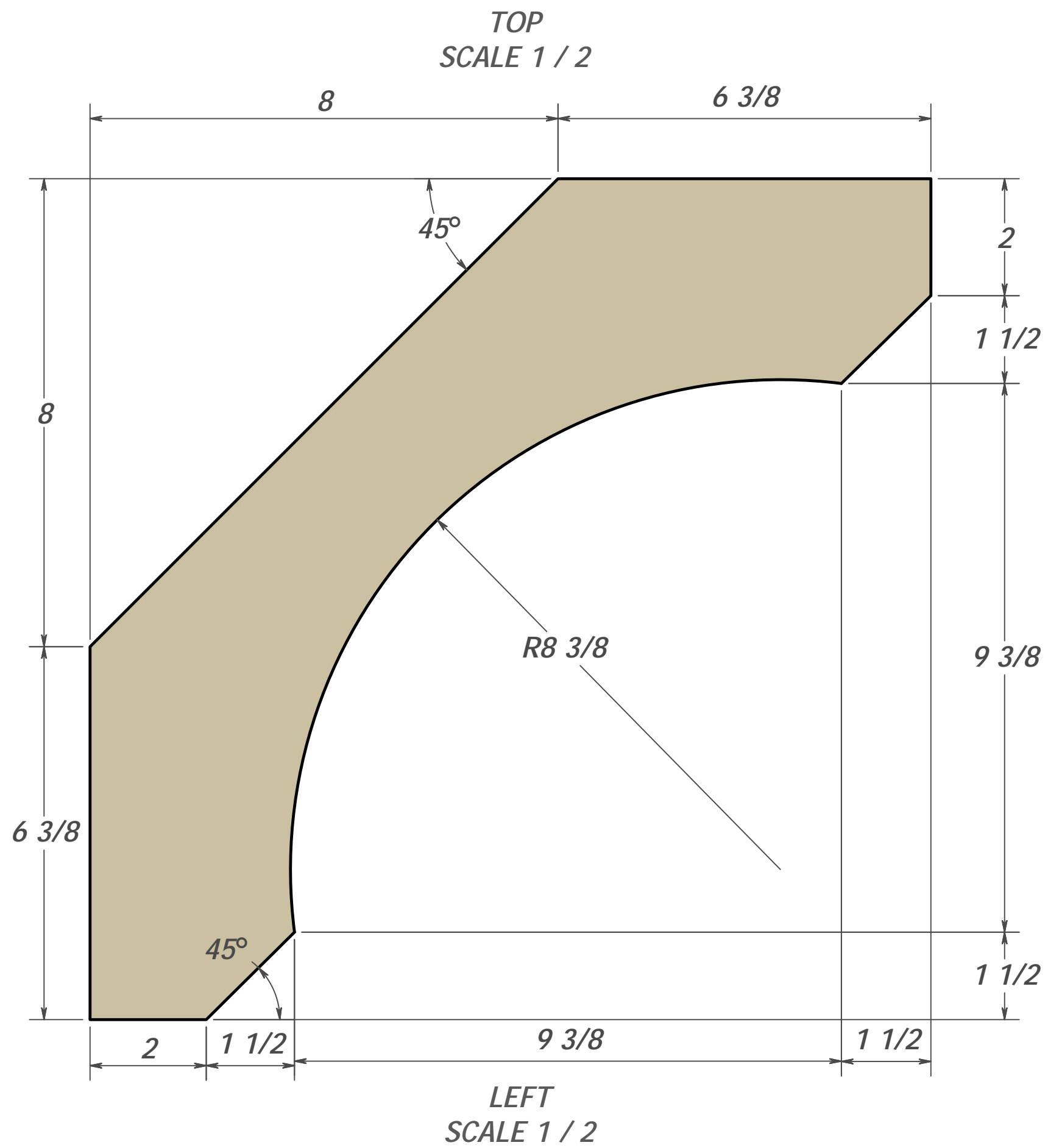
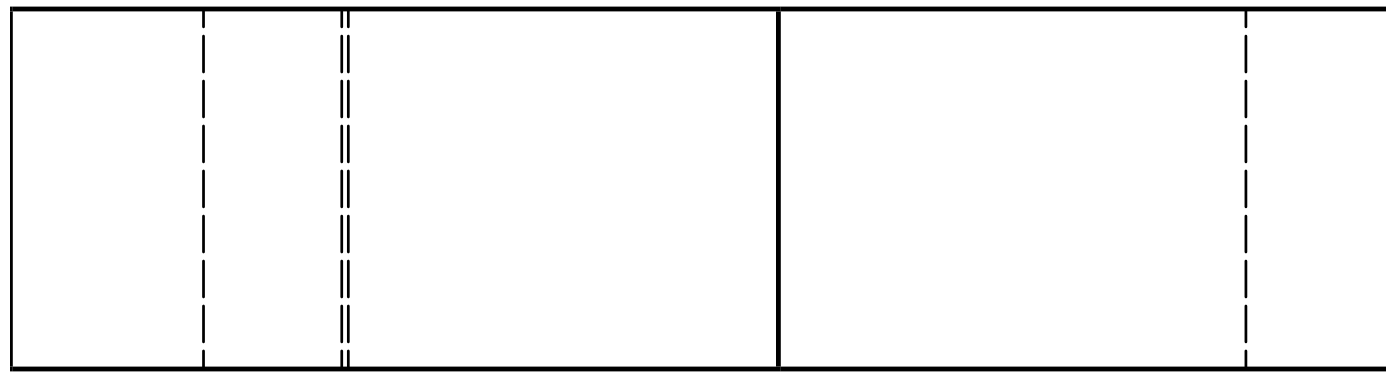


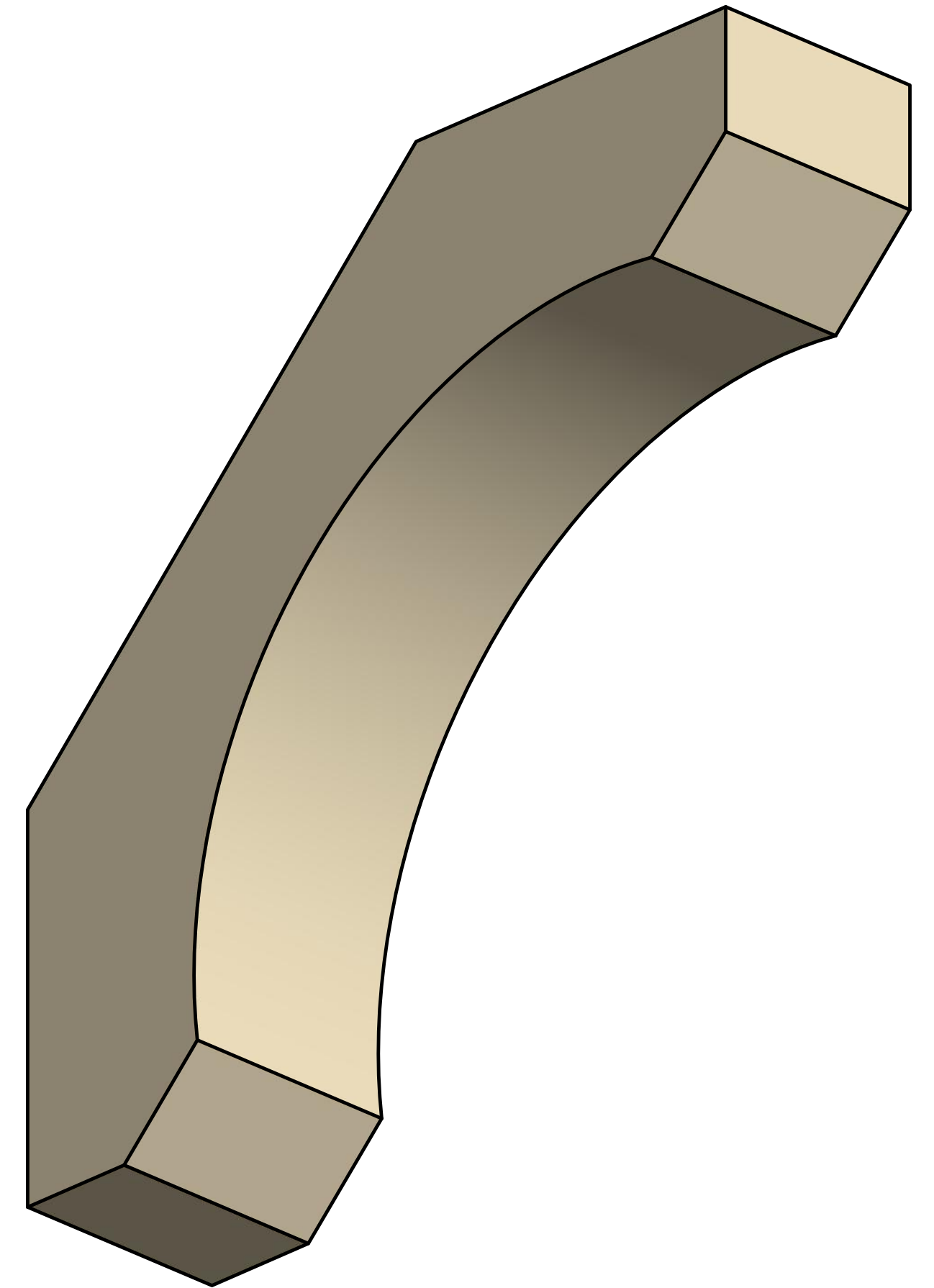
BRACKET MODEL: WB-2007

MADE IN USA

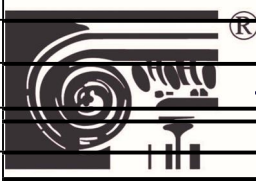
NOTE 1: MEASUREMENTS TAKEN FROM PRODUCTION PARTS. DRAWINGS MAY VARY SLIGHTLY FROM ACTUAL PARTS.
 NOTE 2: BLOCKING AREA ON BACK OF PART MAY BE SLIGHTLY DIFFERENT THEN DRAWING SPECIFIES. USE ONLY PRODUCTION PART FOR BLOCKING ON FINISHED SURFACE.



FRONT
SCALE 1 / 2



3D
SCALE 1 / 2

		DWG NO: WB-2007	PART NO: WB-2007	CLIENT:	DATE:
		DWG BY: DNZ.	DATE: 06/15/17	TITLE: BRACKET	
		FILED UNDER :	SCALE: SEE ABOVE	REV:	DIM. TOLERANCE :
		ALL ITEMS ARE DRAWN FOR PRESENTATION PURPOSES ONLY, THEREFORE IMAGE SHOWN MAY VARY SLIGHTLY FROM FINISHED ACTUAL PART. DRAWING SHOWN IS TO INDICATE GENERAL ARRANGEMENT AND DESIGN. WORTHINGTON RESERVES THE RIGHT TO CHANGE ANY PRODUCT DESIGN WITHOUT NOTIFICATION.			
REV	DESCRIPTION	DATE	APVD.	PAGE: 1/1	