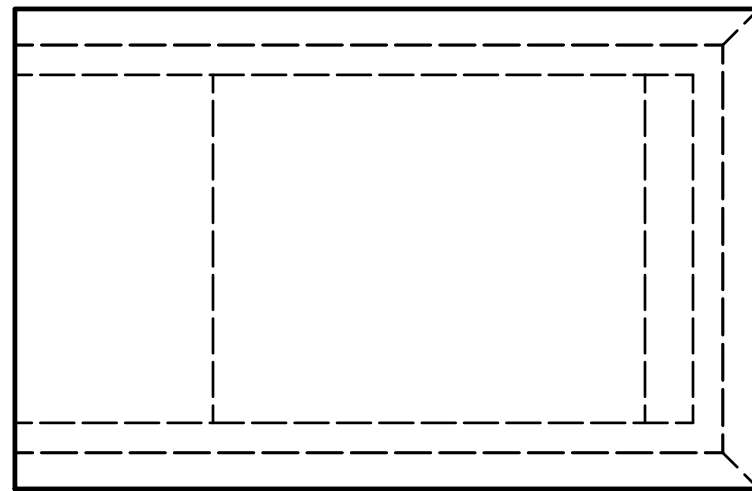


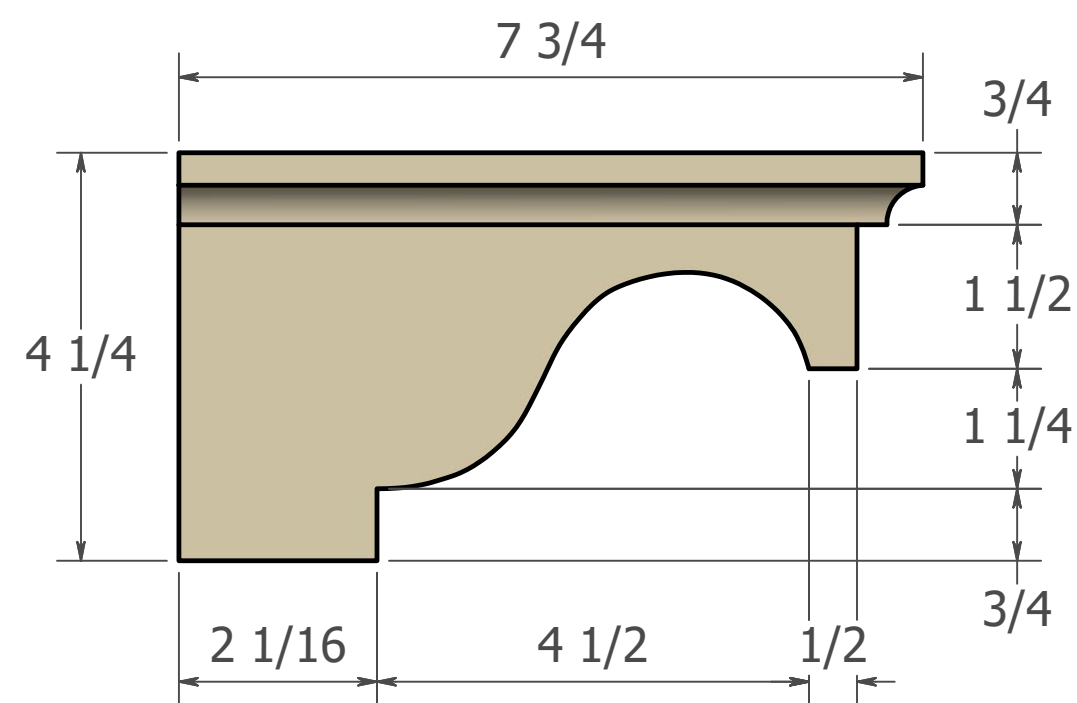
BRACKET MODEL: WB-3001-2

MADE IN USA

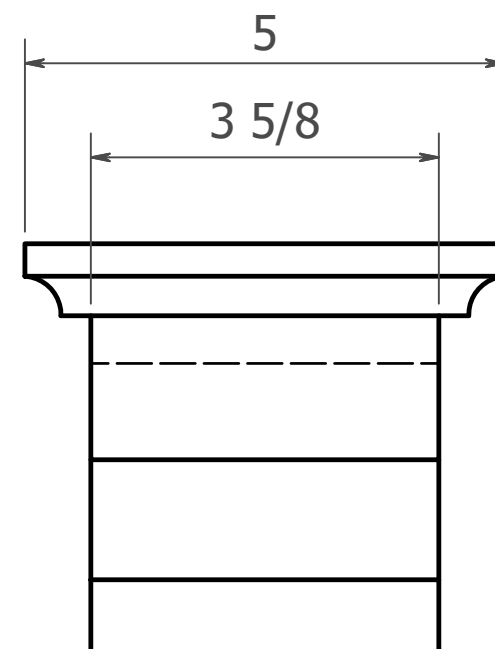
NOTE 1: MEASUREMENTS TAKEN FROM PRODUCTION PARTS. DRAWINGS MAY VARY SLIGHTLY FROM ACTUAL PARTS.
 NOTE 2: BLOCKING AREA ON BACK OF PART MAY BE SLIGHTLY DIFFERENT THEN DRAWING SPECIFIES. USE ONLY PRODUCTION PART FOR BLOCKING ON FINISHED SURFACE.



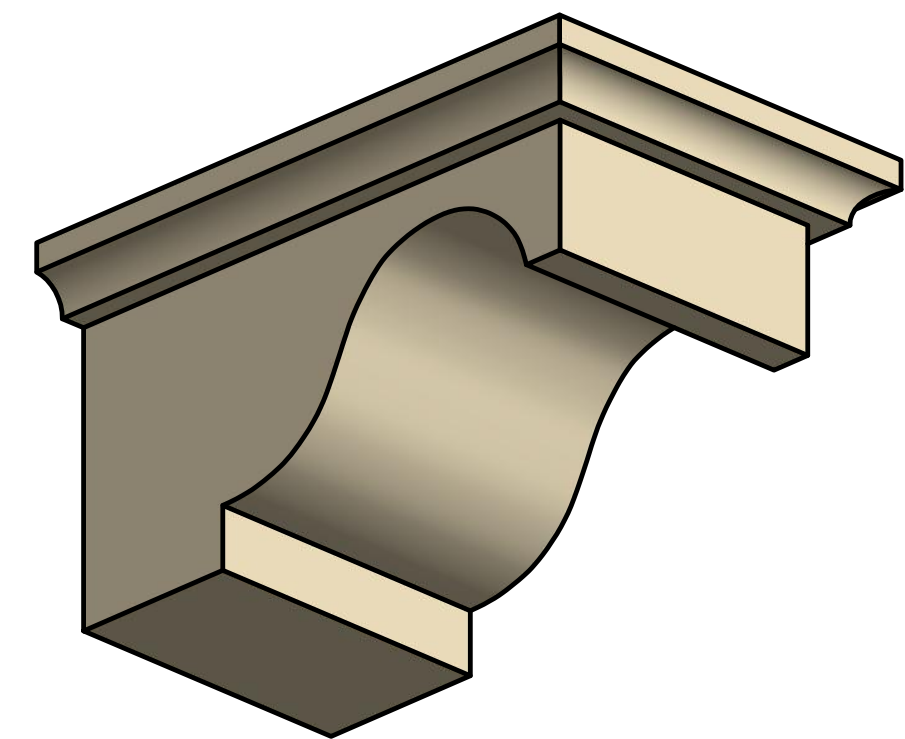
TOP
SCALE 1 / 2



LEFT
SCALE 1 / 2



FRONT
SCALE 1 / 2



3D
SCALE 1 / 2

REV	DESCRIPTION	DATE	APVD.

WORTHINGTON[®]
 American Made Architectural Products
 17842 Ashley Drive, Suite C Panama City Beach, FL 32413
 Phone: 800.872.1608 Fax : 850.640.0488
 e-mail Sales@worthingtonmillwork.com
 WEB: www.worthingtonmillwork.com

DWG NO: WB-3001-2	PART NO: WB-3001-2	CLIENT: SIGN	DATE:
DWG BY: DNZ.	DATE: 06/15/17	TITLE: BRACKET	
FILED UNDER :	SCALE: SEE ABOVE	REV:	DIM. TOLERANCE :
ALL ITEMS ARE DRAWN FOR PRESENTATION PURPOSES ONLY, THEREFORE IMAGE SHOWN MAY VARY SLIGHTLY FROM FINISHED ACTUAL PART. DRAWING SHOWN IS TO INDICATE GENERAL ARRANGEMENT AND DESIGN. WORTHINGTON RESERVES THE RIGHT TO CHANGE ANY PRODUCT DESIGN WITHOUT NOTIFICATION.			SIZE: C
			PAGE: 1/1