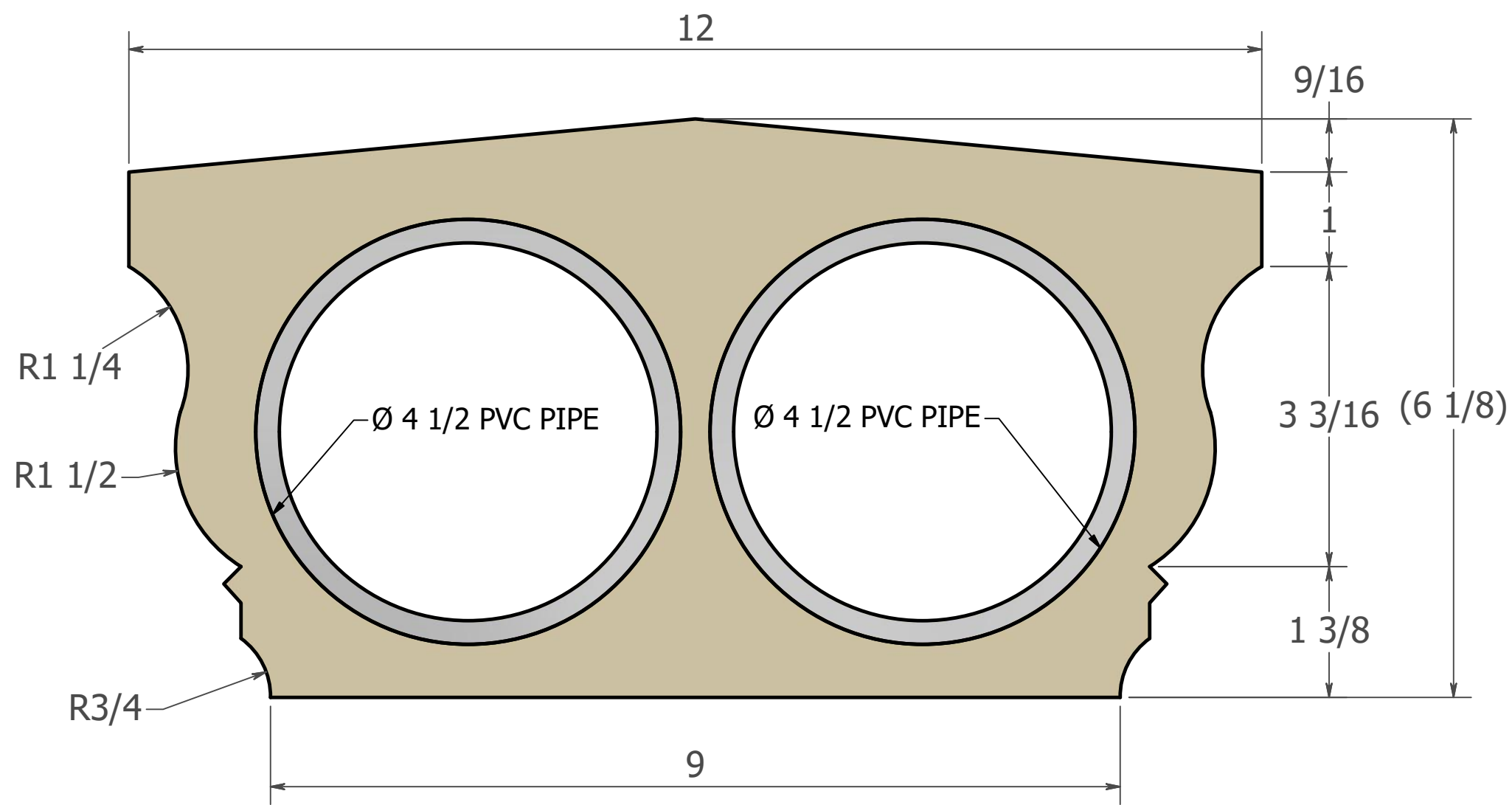


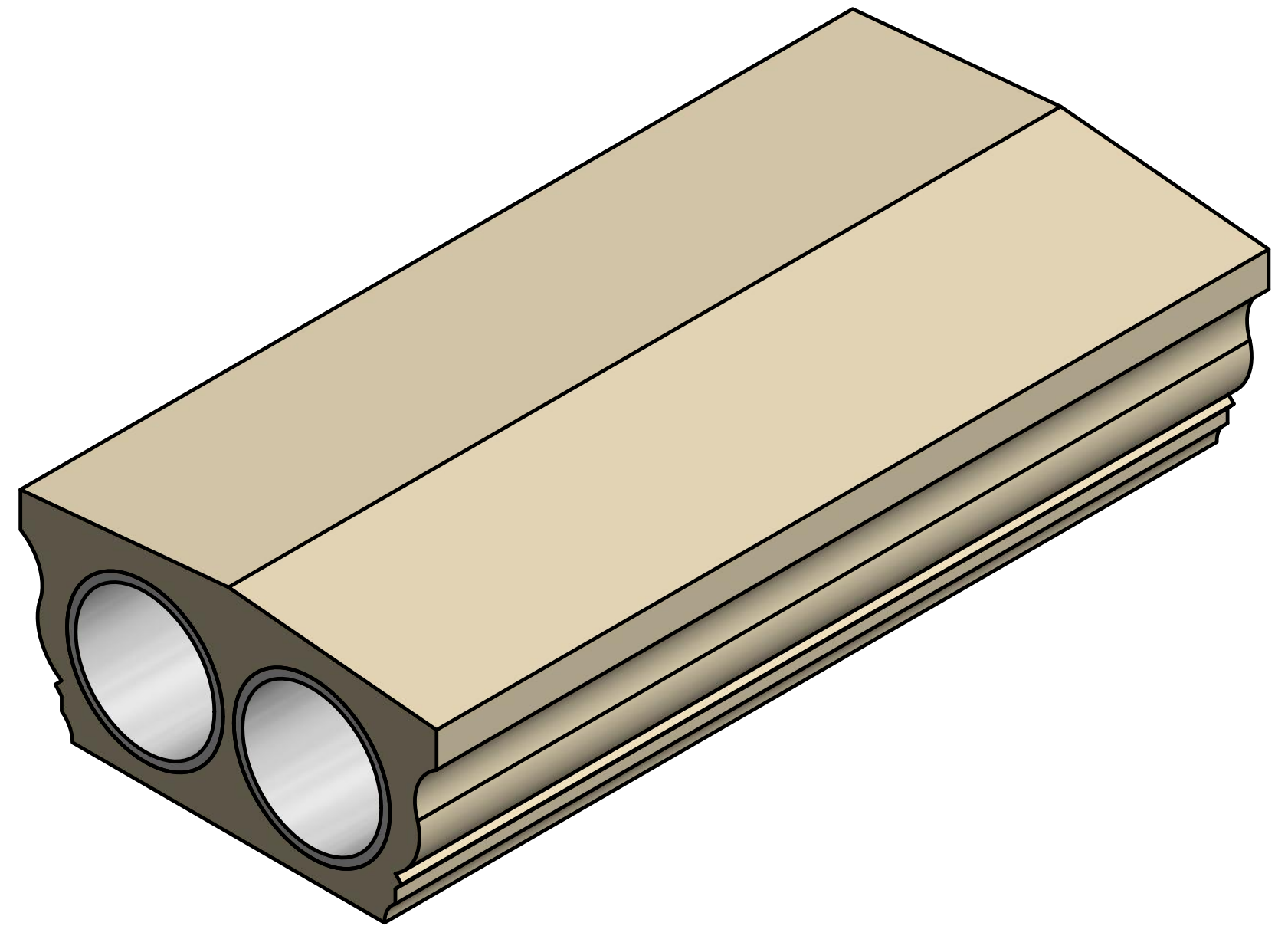
MODEL: WTR-4000

MADE IN USA

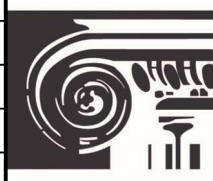
NOTE: 1. MEASUREMENTS TAKEN FROM PRODUCTION PART.
2. NOM. 4',5',6',8',10' & 12' LENGTHS AVAILABLE.



FRONT
SCALE 2:3



3D
SCALE 1:3

				 WORTHINGTON® American Made Architectural Products 17842 Ashley Drive, Suite C Panama City Beach, FL 32413 Phone: 800.872.1608 Fax : 850.640.0488 e-mail Sales@worthingtonmillwork.com WEB: www.worthingtonmillwork.com	DWG NO: WTR-4000	PART NO: WTR-4000	CLIENT: SIGN	DATE:
					DWG BY: DNZ.	DATE: 08/28/17	TITLE: 12" TOP RAIL	
				FILED UNDER :	SCALE: SEE ABOVE	REV:	DIM. TOLERANCE :	SIZE: C
				ALL ITEMS ARE DRAWN FOR PRESENTATION PURPOSES ONLY, THEREFORE IMAGE SHOWN MAY VARY SLIGHTLY FROM FINISHED ACTUAL PART. DRAWING SHOWN IS TO INDICATE GENERAL ARRANGEMENT AND DESIGN. WORTHINGTON RESERVES THE RIGHT TO CHANGE ANY PRODUCT DESIGN WITHOUT NOTIFICATION.				PAGE: 1/1
REV	DESCRIPTION	DATE	APVD.					