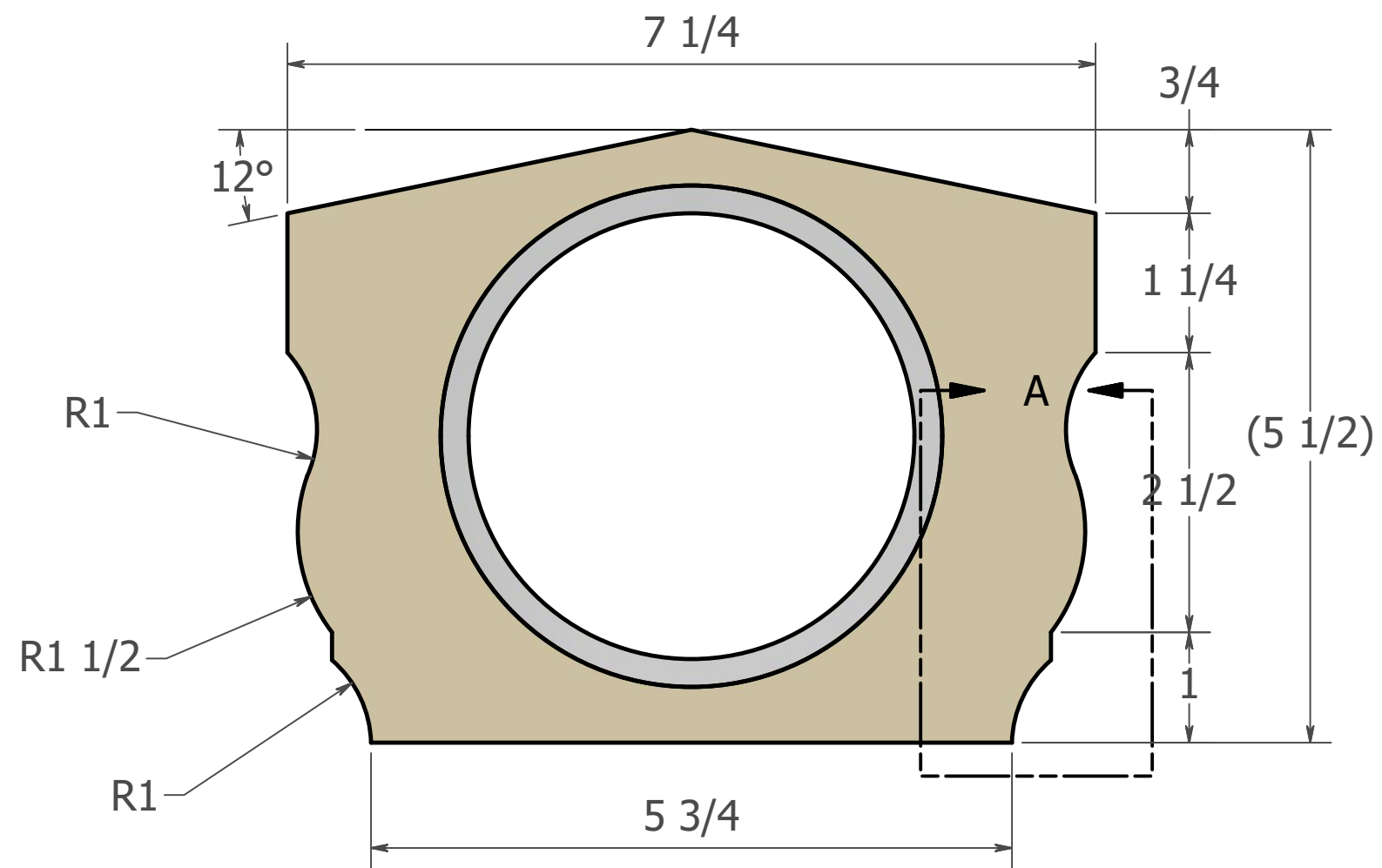


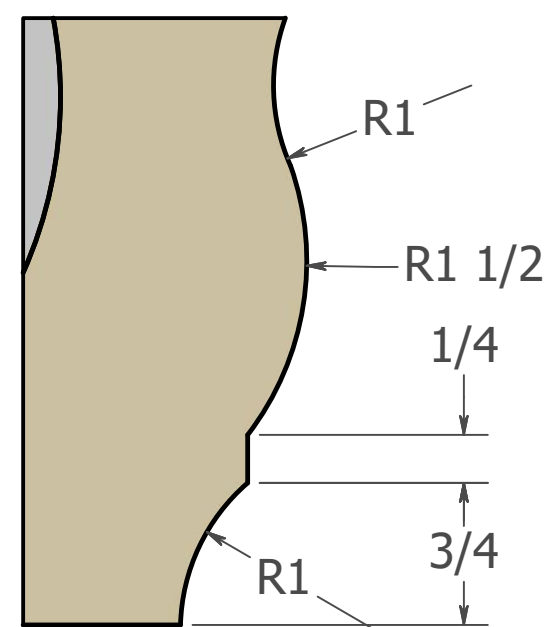
MODEL: WTR-3000

MADE IN USA

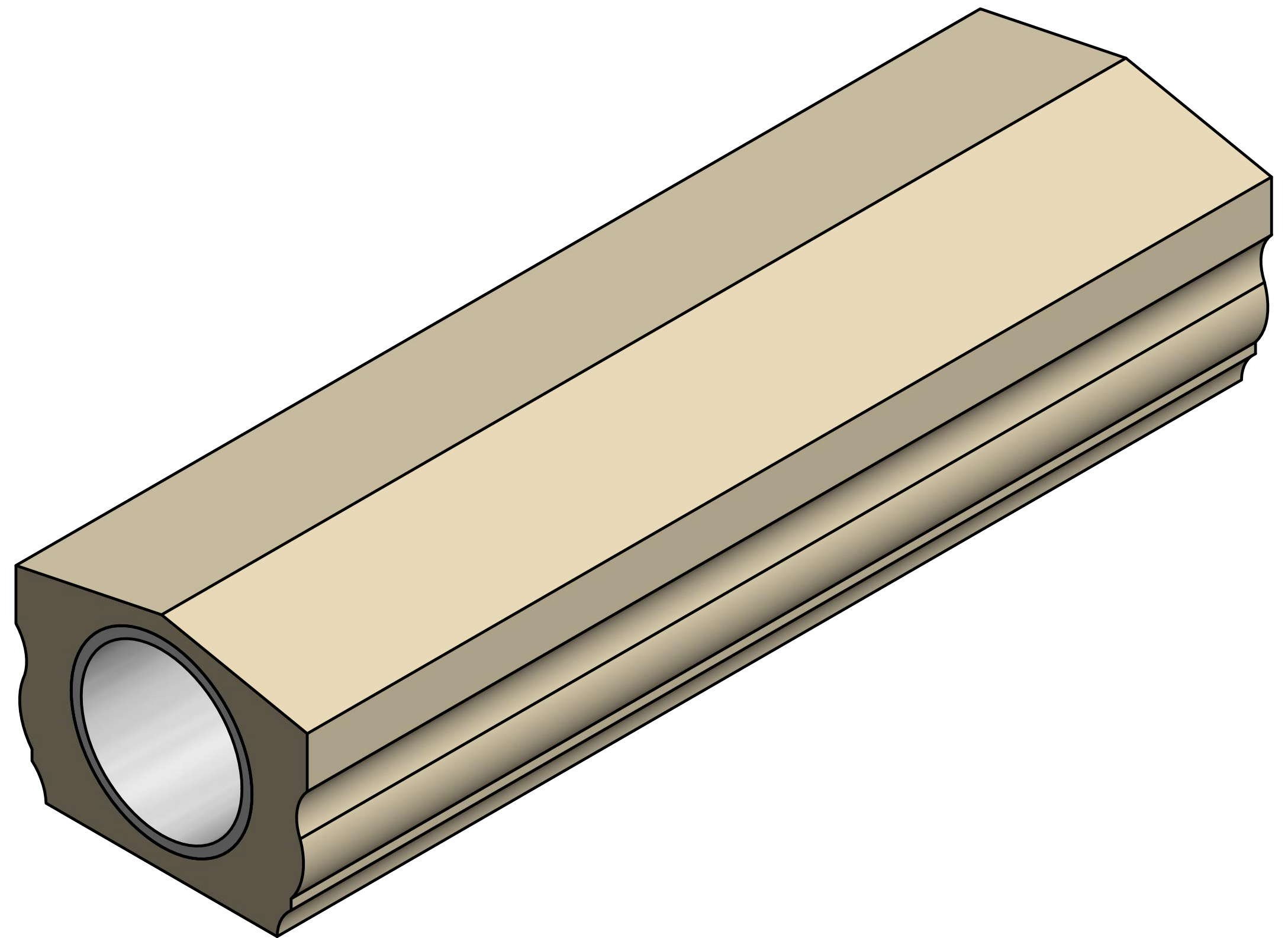
- NOTE: 1. MEASUREMENTS TAKEN FROM PRODUCTION PART.
 2. AVAILABLE IN NOMINAL 4, 5, 6, 8, 10 AND 12' LENGTHS.



FRONT
SCALE 2:3



DETAIL A
SCALE 1:1



3D
SCALE 1:2

REV	DESCRIPTION	DATE	APVD.

WORTHINGTON[®]
 American Made Architectural Products
 17842 Ashley Drive, Suite C Panama City Beach, FL 32413
 Phone: 800.872.1608 Fax : 850.640.0488
 e-mail Sales@worthingtonmillwork.com
 WEB: www.worthingtonmillwork.com

DWG NO: WTR-3000	PART NO: WTR-3000	CLIENT: SIGN	DATE:
DWG BY: DNZ.	DATE: 08/28/17	TITLE: 7-1/4" TOP RAIL	
FILED UNDER :	SCALE: SEE ABOVE	REV:	DIM. TOLERANCE :
ALL ITEMS ARE DRAWN FOR PRESENTATION PURPOSES ONLY, THEREFORE IMAGE SHOWN MAY VARY SLIGHTLY FROM FINISHED ACTUAL PART. DRAWING SHOWN IS TO INDICATE GENERAL ARRANGEMENT AND DESIGN. WORTHINGTON RESERVES THE RIGHT TO CHANGE ANY PRODUCT DESIGN WITHOUT NOTIFICATION.			SIZE: C
			PAGE: 1/1