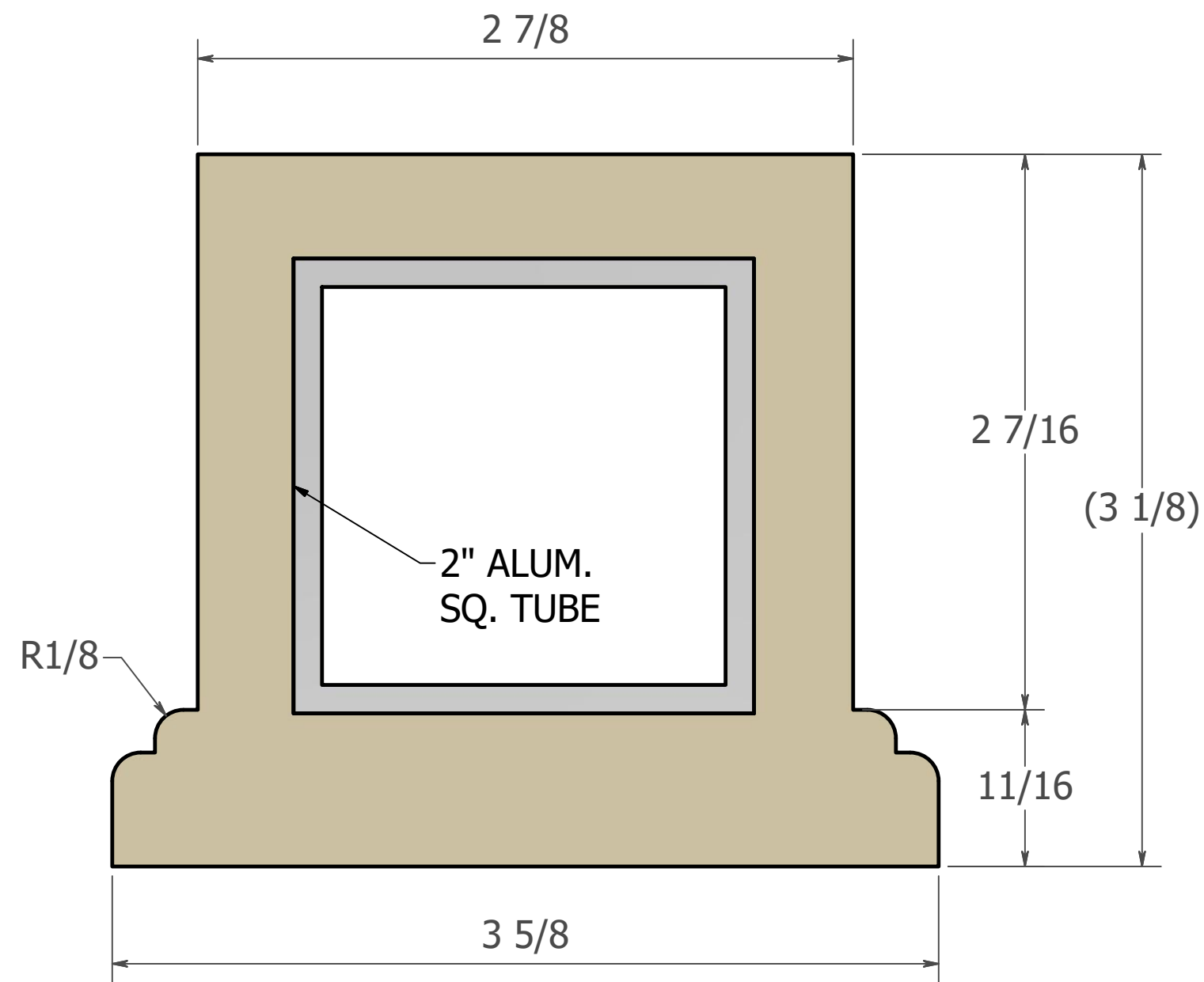


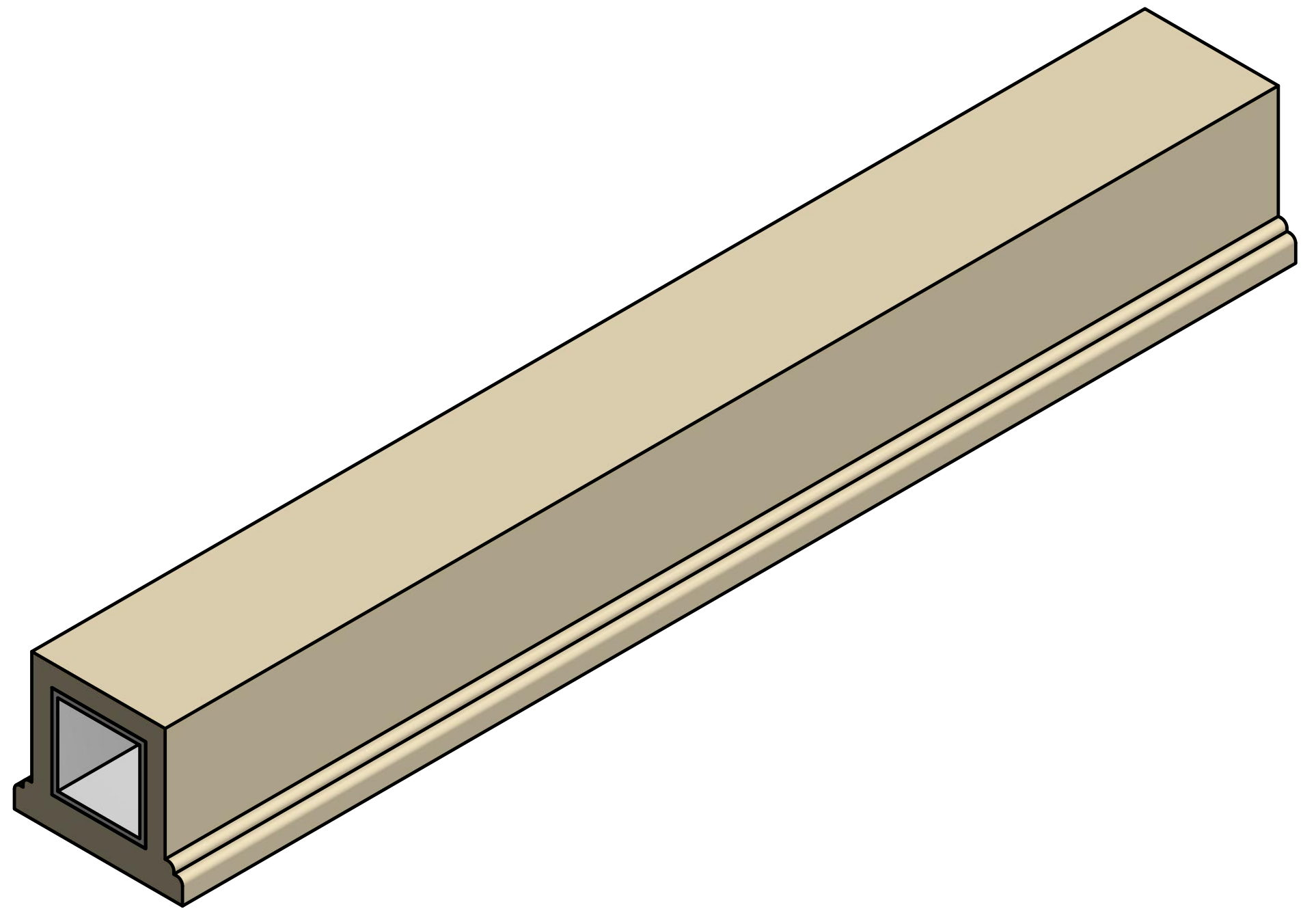
**MODEL: WTR-1500**

**MADE IN USA**

- NOTE: 1. MEASUREMENTS TAKEN FROM PRODUCTION PART.  
 2. AVAILABLE IN NOMINAL 4, 5, 6, 8, 10 AND 12' LENGTHS.



FRONT  
SCALE 3:2



3D  
SCALE 1:2

REV	DESCRIPTION	DATE	APVD.

**WORTHINGTON**<sup>®</sup>  
 American Made Architectural Products  
 17842 Ashley Drive, Suite C Panama City Beach, FL 32413  
 Phone: 800.872.1608 Fax : 850.640.0488  
 e-mail [Sales@worthingtonmillwork.com](mailto:Sales@worthingtonmillwork.com)  
 WEB: [www.worthingtonmillwork.com](http://www.worthingtonmillwork.com)

DWG NO: WTR-1500	PART NO: WTR-1500	CLIENT: SIGN	DATE:
DWG BY: DNZ.	DATE: 08/28/17	TITLE: BOTTOM RAIL	
FILED UNDER :	SCALE: SEE ABOVE	REV:	DIM. TOLERANCE :
ALL ITEMS ARE DRAWN FOR PRESENTATION PURPOSES ONLY, THEREFORE IMAGE SHOWN MAY VARY SLIGHTLY FROM FINISHED ACTUAL PART. DRAWING SHOWN IS TO INDICATE GENERAL ARRANGEMENT AND DESIGN. WORTHINGTON RESERVES THE RIGHT TO CHANGE ANY PRODUCT DESIGN WITHOUT NOTIFICATION.			SIZE: C
			PAGE: 1/1