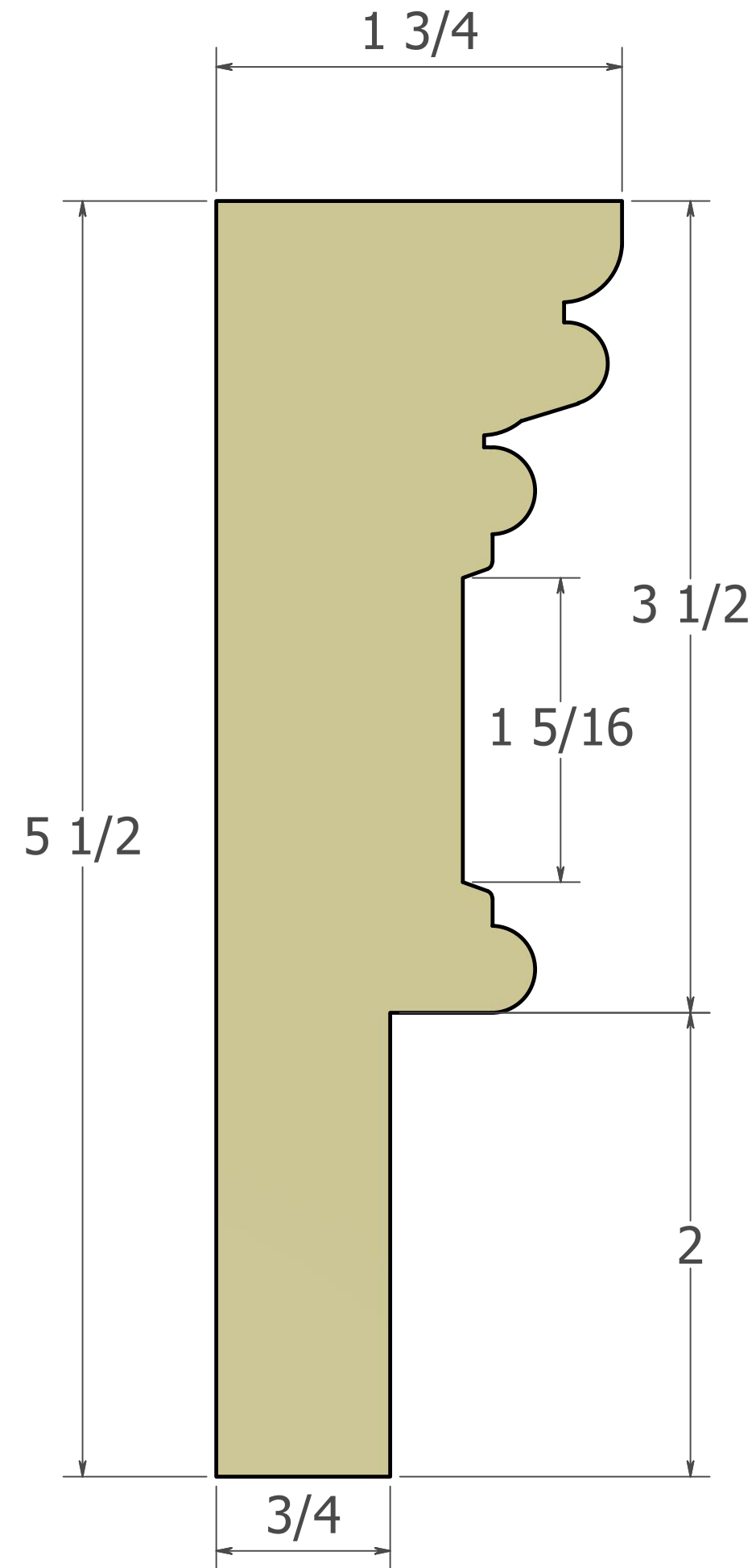
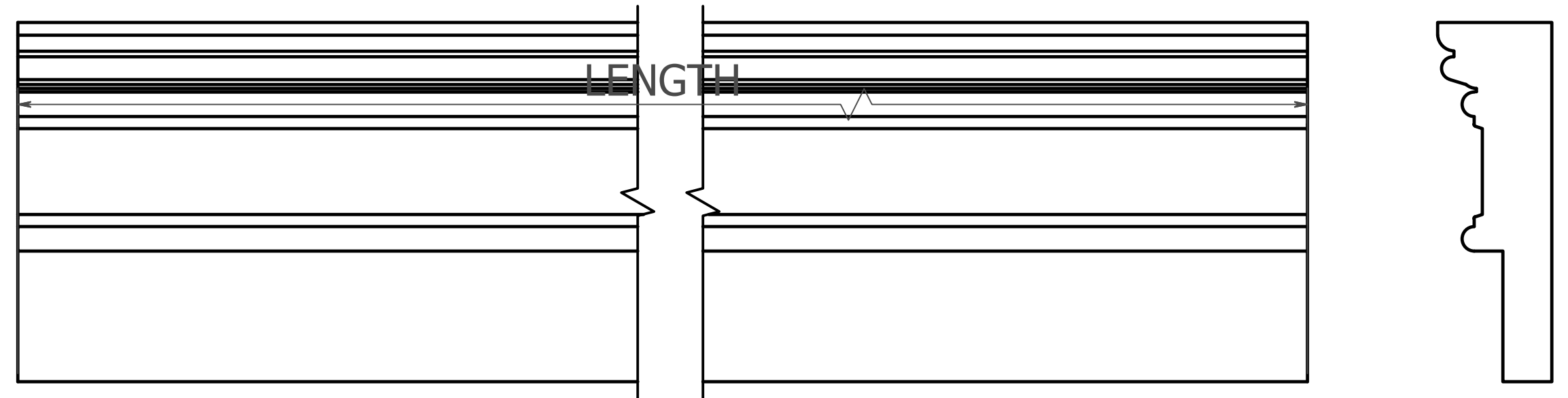


NOMINAL LENGTH = 16"

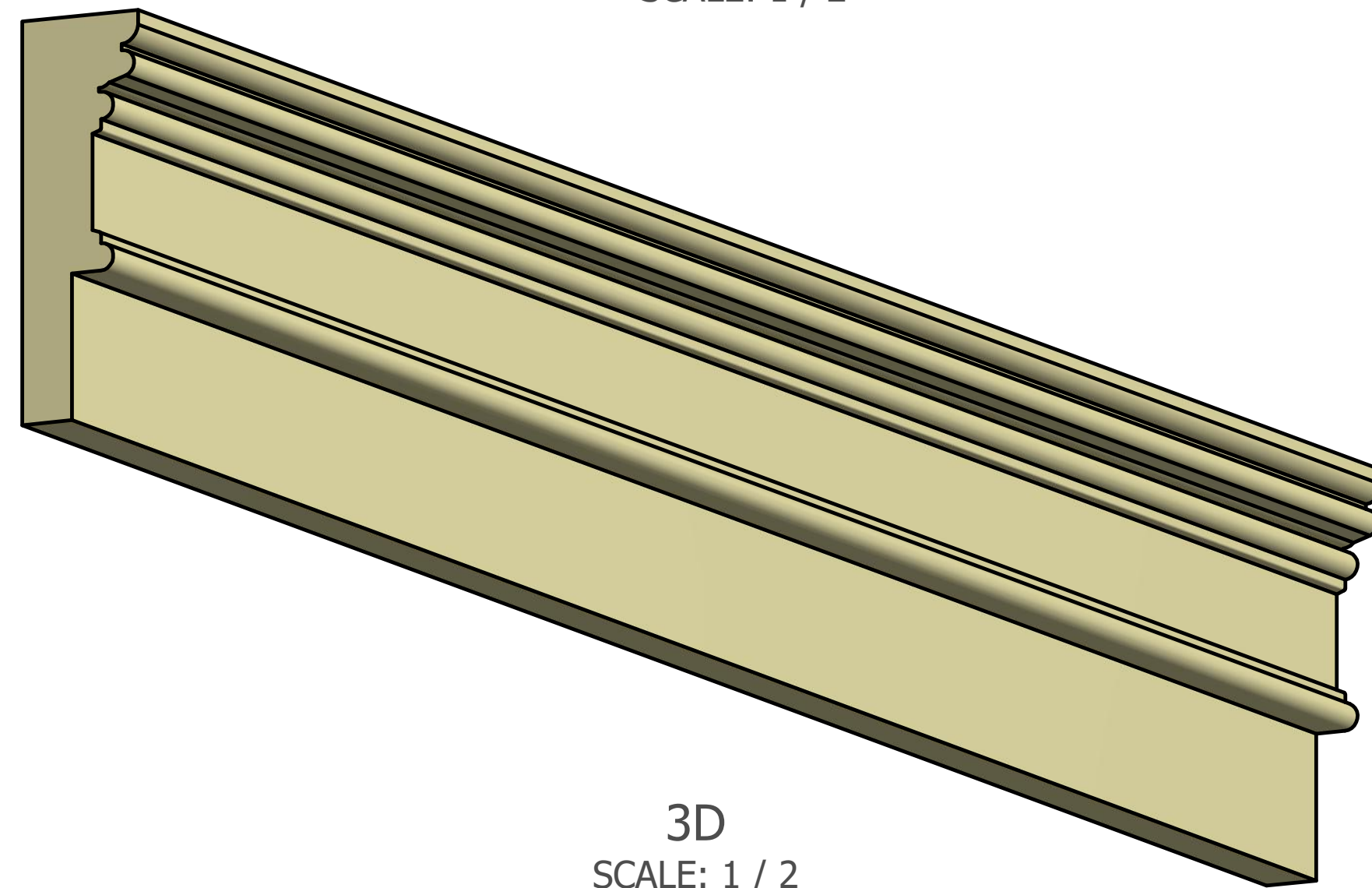
MADE IN USA



PROFILE
SCALE 3 : 2



FRONT VIEW
SCALE: 1 / 2



NOTE: MEASUREMENTS TAKEN FROM PRODUCTION PART

| REV | DESCRIPTION | DATE | APVD. |
|-----|-------------|------|-------|
| | | | |
| | | | |
| | | | |



WORTHINGTON®
American Made Architectural Products
17842 Ashley Drive, Suite C Panama City Beach, FL 32413
Phone: 800.872.1608 Fax : 850.640.0488
e-mail Sales@worthingtonmillwork.com
WEB: www.worthingtonmillwork.com

| | | | |
|---|---------------------|-----------------|------------------|
| DWG NO: WM-1035-16 | PART NO: WM-1035-16 | CLIENT: SIGN | DATE: |
| DWG BY: DNZ. | DATE: 06/15/17 | TITLE: MOULDING | |
| FILED UNDER : | SCALE: SEE ABOVE | REV: | DIM. TOLERANCE : |
| ALL ITEMS ARE DRAWN FOR PRESENTATION PURPOSES ONLY, THEREFORE IMAGE SHOWN MAY VARY SLIGHTLY FROM FINISHED ACTUAL PART. DRAWING SHOWN IS TO INDICATE GENERAL ARRANGEMENT AND DESIGN. WORTHINGTON RESERVES THE RIGHT TO CHANGE ANY PRODUCT DESIGN WITHOUT NOTIFICATION. | | | SIZE: C |
| | | | PAGE: 1/1 |