

PEAK LOUVER MODEL: WL-2060-XX-XX-XX

MADE IN USA

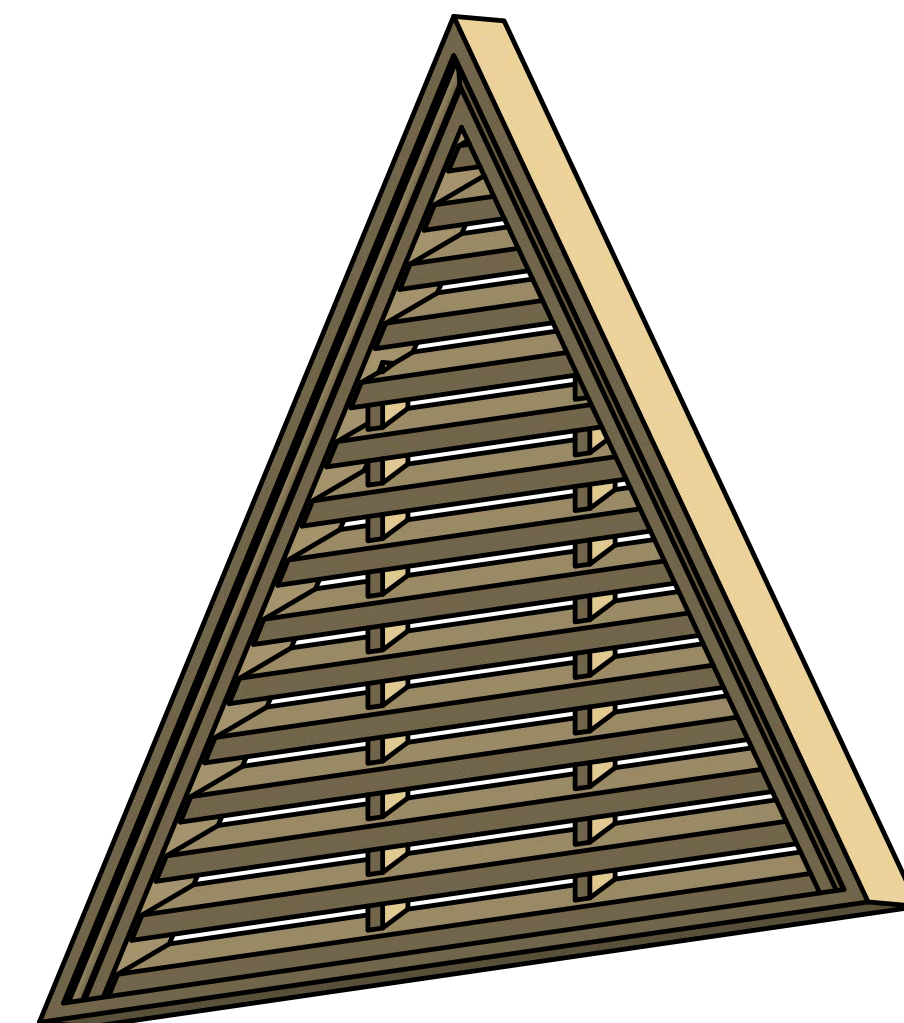
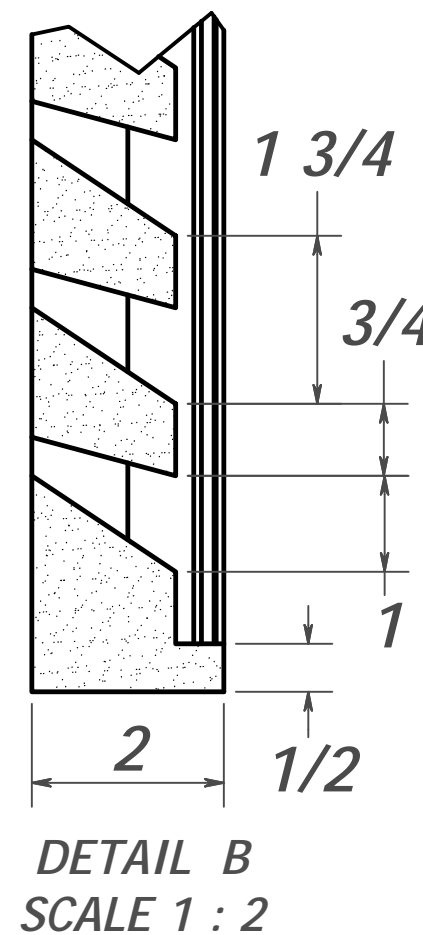
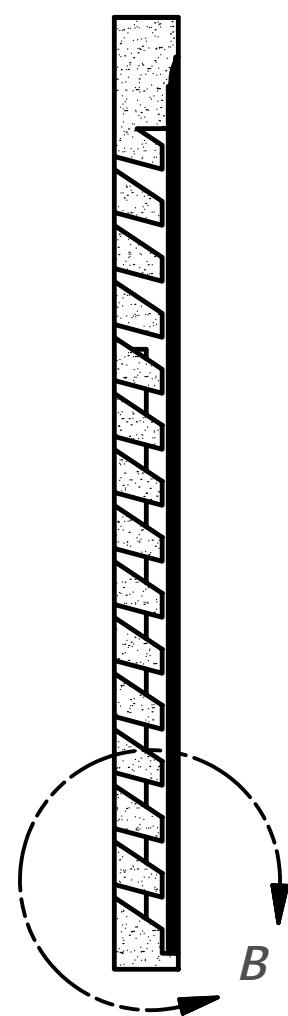
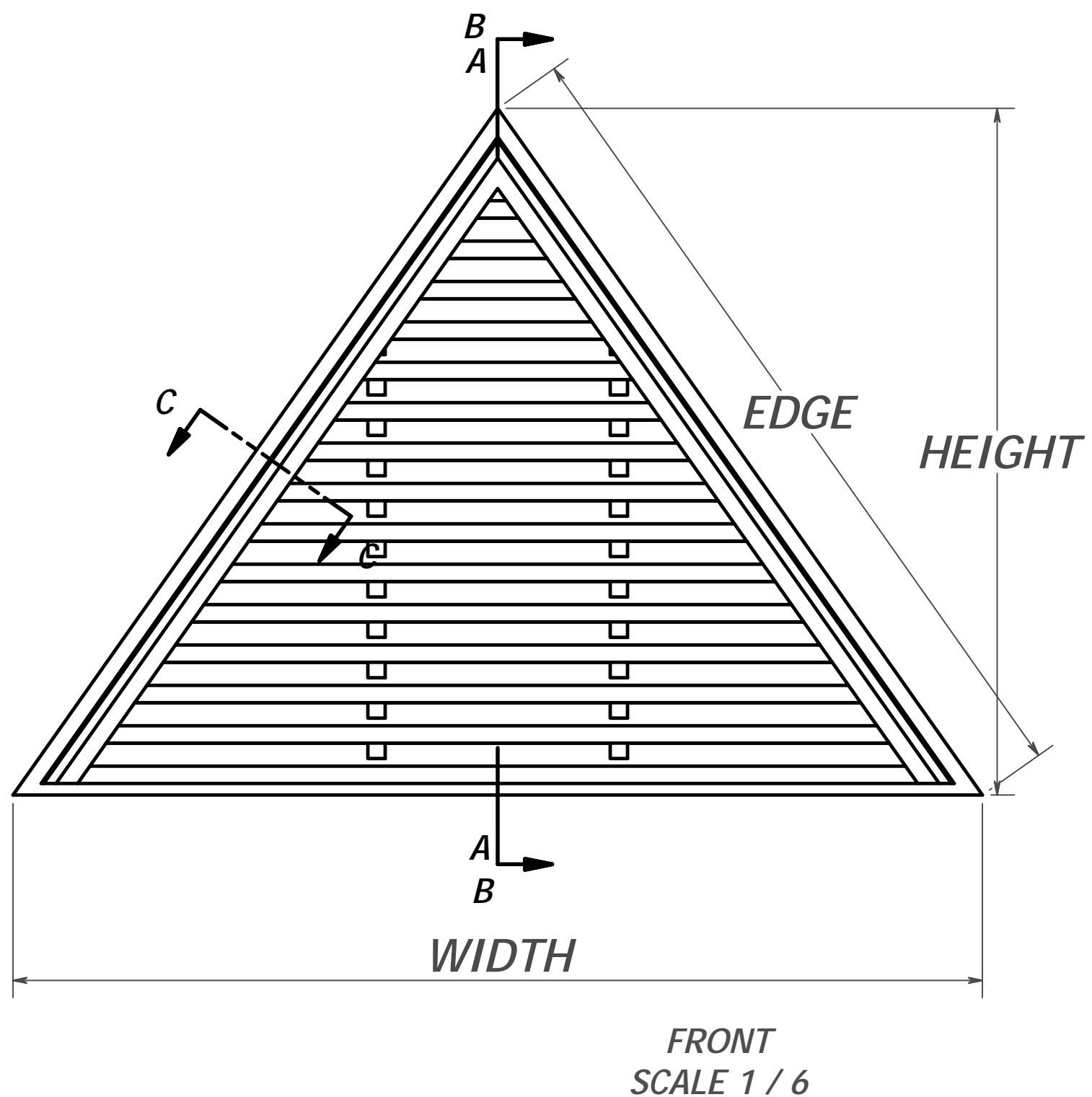
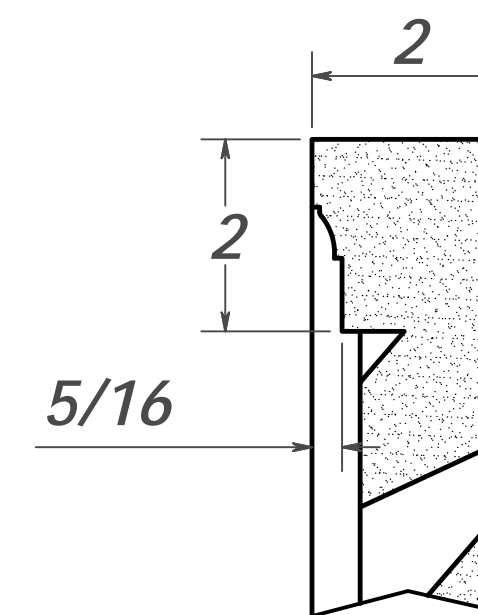
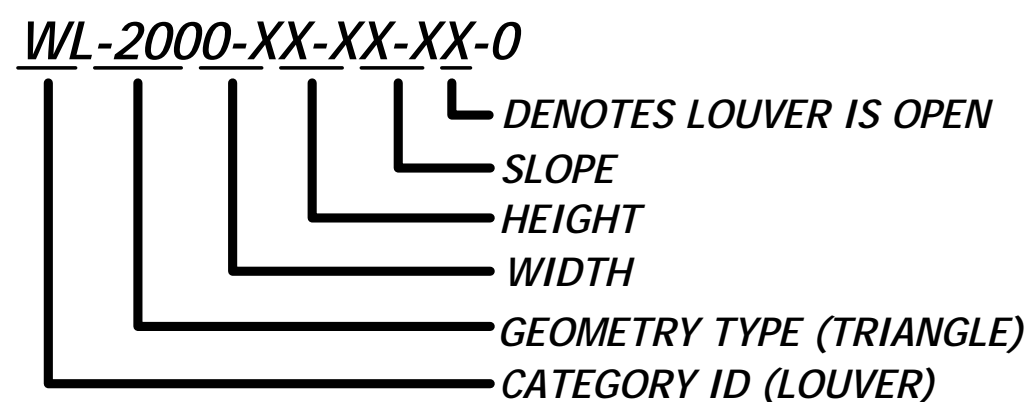


TABLE			
NO	PART NUMBER	WIDTH	HEIGHT
1	WL-2060-120-30-6	120	30
2	WL-2060-120-45-9	120	45
3	WL-2060-42-21-12	42	21
4	WL-2060-48-10-5	48	10
5	WL-2060-60-17.5-7	60	17.5
6	WL-2060-60-35-14	60	35
7	WL-2060-64-21.375-10	64	21.375
8	WL-2060-64-26.75-10	64	21.75
9	WL-2060-64-32-12	64	32
10	WL-2060-84-17.5-5	84	17.5
11	WL-2060-88-22-6	88	22

TABLE			
NO	PART NUMBER	WIDTH	HEIGHT
13	WL-2060-120-30-6-0	120	30
14	WL-2060-120-45-9-0	120	45
15	WL-2060-42-21-12-0	42	21
16	WL-206048-10-5-0	48	10
17	WL-2060-60-17.5-7-0	60	17.5
18	WL-2060-60-35-14-0	60	35
19	WL-2060-64-21.375-10-0	64	21.375
20	WL-2060-64-26.75-10-0	64	21.75
21	WL-2060-64-32-12-0	64	32
22	WL-2060-84-17.5-5-0	84	17.5
23	WL-2060-88-22-6-0	88	22
24	WL-2060-79-30-9-0 **	78.75	29.75



SECTION C-C
SCALE 1 / 2

** NOTED PART HAS A 3-1/2" WIDE VERTICAL STRIP RUNNING UP CENTER OF PART.

NOTE 1: MEASUREMENTS TAKEN FROM PRODUCTION PARTS. DRAWINGS MAY VARY SLIGHTLY FROM ACTUAL PARTS.

NOTE 2: LARGE SIZE LOUVERS MAY HAVE LOUVER SUPPORT BLOCKS.



WORTHINGTON[®]
American Made Architectural Products

17842 Ashley Drive, Suite C Panama City Beach, FL 32413
Phone: 800.872.1608 Fax : 850.640.0488
e-mail: Sales@worthingtonmillwork.com
WEB: www.worthingtonmillwork.com

DWG NO: WL-2060-XX-XX	PART NO: WL-2060-XX-XX	CLIENT: SIGN	DATE:
DWG BY: DNZ.	DATE: 06/15/17	TITLE: TRIANGLE LOUVER (OPEN - CLOSED)	
FILED UNDER :	SCALE: SEE ABOVE	REV:	DIM. TOLERANCE :
ALL ITEMS ARE DRAWN FOR PRESENTATION PURPOSES ONLY, THEREFORE IMAGE SHOWN MAY VARY SLIGHTLY FROM FINISHED ACTUAL PART. DRAWING SHOWN IS TO INDICATE GENERAL ARRANGEMENT AND DESIGN. WORTHINGTON RESERVES THE RIGHT TO CHANGE ANY PRODUCT DESIGN WITHOUT NOTIFICATION.			SIZE: C
			PAGE: 1/1

REV	DESCRIPTION	DATE	APVD.