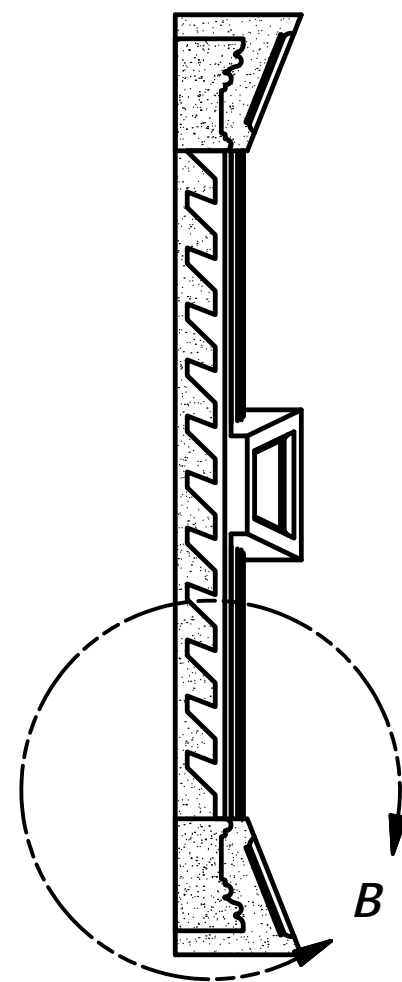


FRONT  
SCALE 1 / 6

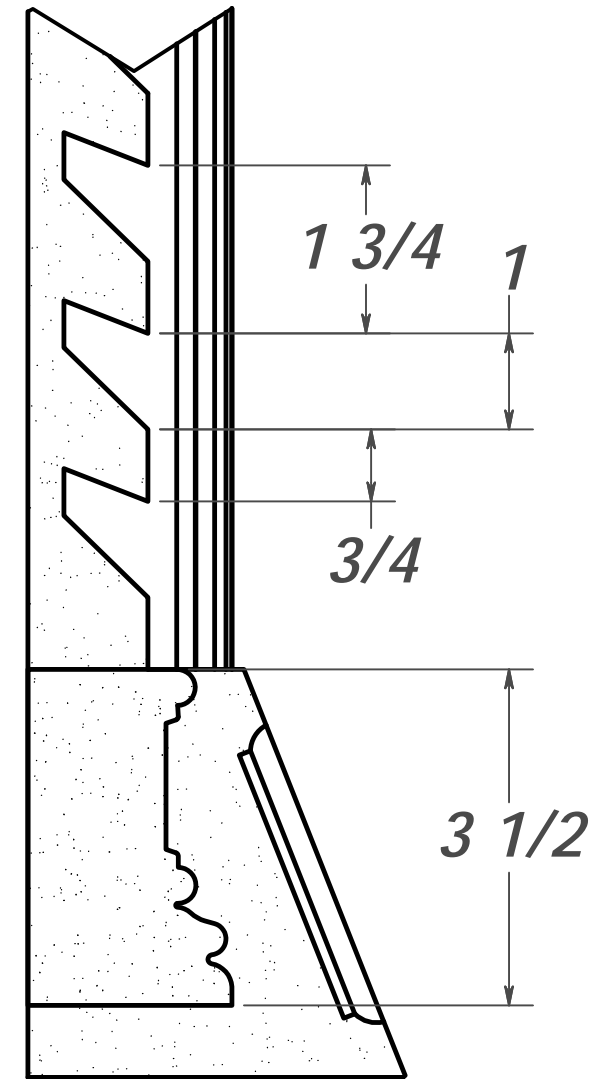
OPEN LOUVER    CLOSED LOUVER



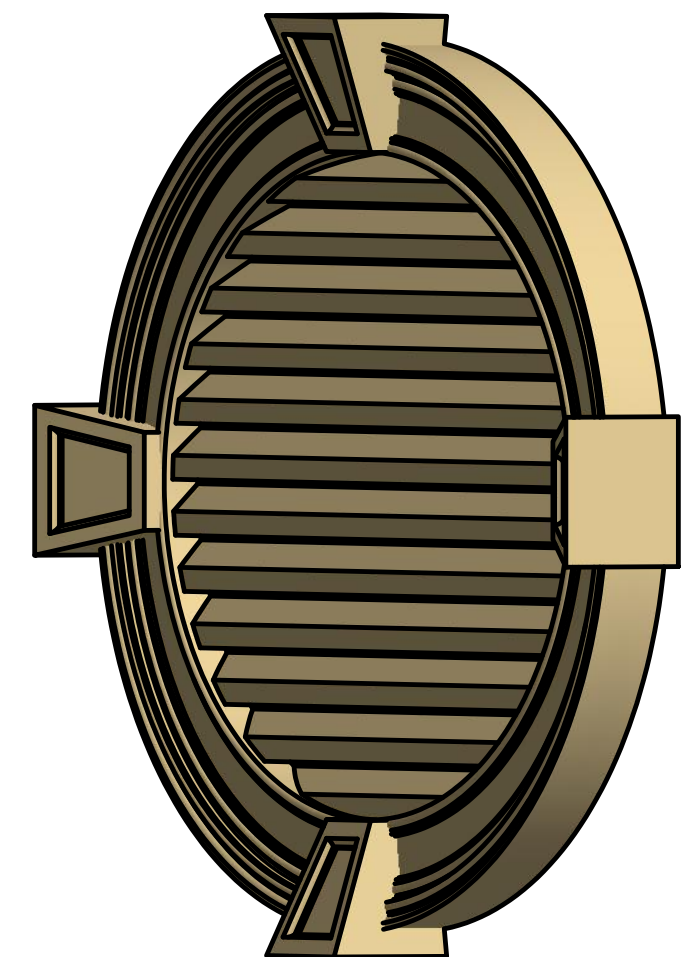
SECTION A-A  
SCALE 1 / 6



SECTION C-C  
SCALE 1 / 6



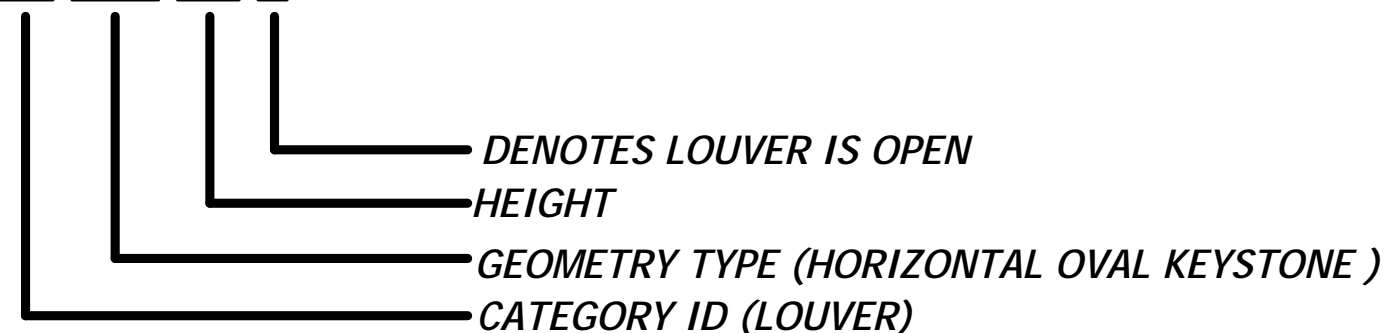
DETAIL B  
SCALE 1 / 2



3D  
SCALE 1 / 6

TABLE					
PART NUMBER	WIDTH	HEIGHT	KEystone	FUNCTION	TITLE
WL-1090-28-0	35.375	27.875	0	OPEN	HORIZONTAL OVAL LOUVER OPEN
WL-1090-41-0	56.125	41.625	0	OPEN	HORIZONTAL OVAL LOUVER OPEN
WL-1090-28	35.375	27.875	0	CLOSED	HORIZONTAL OVAL LOUVER CLOSED
WL-1090-41	56.125	41.625	0	CLOSED	HORIZONTAL OVAL LOUVER CLOSED

WL-1090-XX-0



NOTE 1: MEASUREMENTS TAKEN FROM PRODUCTION PARTS. DRAWINGS MAY VARY SLIGHTLY FROM ACTUAL PARTS.  
NOTE 2 : LARGE SIZE LOUVERS MAY HAVE LOUVER SUPPORT BLOCKS.



**WORTHINGTON**®  
American Made Architectural Products

17842 Ashley Drive, Suite C Panama City Beach, FL 32413  
Phone: 800.872.1608 Fax : 850.640.0488  
e-mail: Sales@worthingtonmillwork.com  
WEB: www.worthingtonmillwork.com

DWG NO: WL-1090-XX-XX	PART NO: WL-1090-XX-XX	CLIENT: SIGN	DATE:
DWG BY: DNZ.	DATE: 06/15/17	TITLE: HORIZONTAL OVAL LOUVER	
FILED UNDER :	SCALE: SEE ABOVE	REV:	DIM. TOLERANCE :
ALL ITEMS ARE DRAWN FOR PRESENTATION PURPOSES ONLY, THEREFORE IMAGE SHOWN MAY VARY SLIGHTLY FROM FINISHED ACTUAL PART. DRAWING SHOWN IS TO INDICATE GENERAL ARRANGEMENT AND DESIGN. WORTHINGTON RESERVES THE RIGHT TO CHANGE ANY PRODUCT DESIGN WITHOUT NOTIFICATION.			PAGE: 1/1

REV	DESCRIPTION	DATE	APVD.