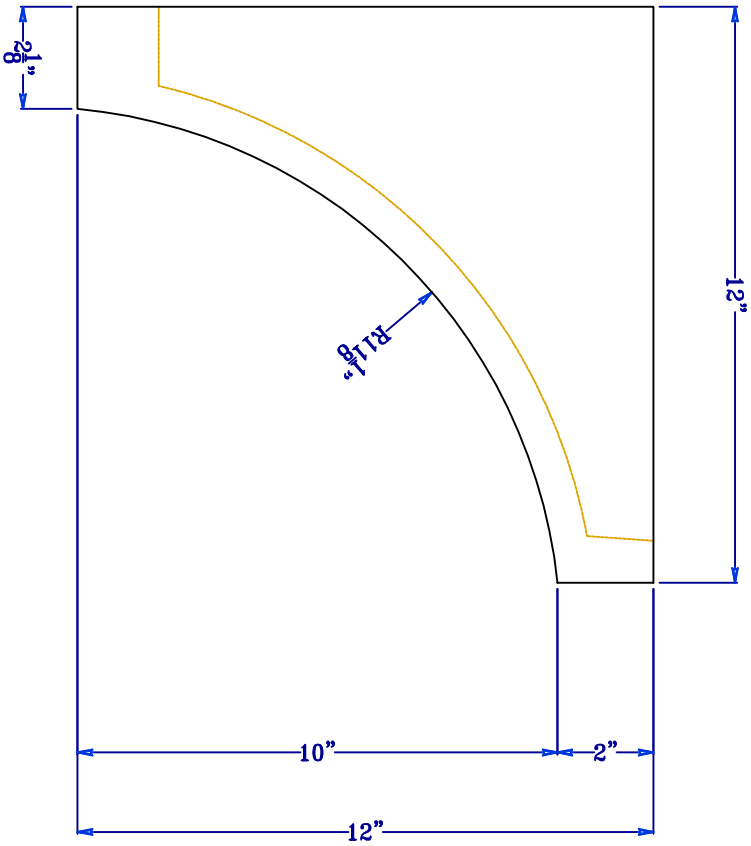


Customer Signature:

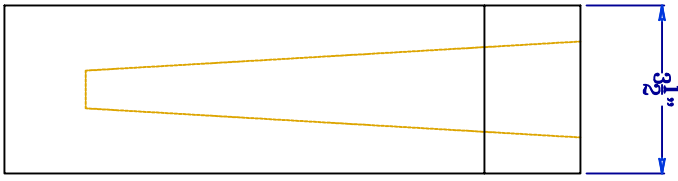
Date:

**MADE IN THE U.S.A.**

- NOTES: 1. MEASUREMENTS TAKEN FROM PRODUCTION PART.  
 2. THERE MAY BE A HOLLOW OR BLOCKED AREA IN BACK OF PART.  
 USE ONLY PRODUCTION PART FOR BLOCKING ON FINISHED SURFACE.



**SIDE ELEVATION - BRACKET**  
 ARCH. REF. N.A. SCALE 3"=1'0"



**FRONT ELEVATION - BRACKET**  
 ARCH. REF. N.A. SCALE 3"=1'0"



**WORTHINGTON**  
 American Made Architectural Products

17842 Ashley Drive / Suite C / Panama City Beach, FL 32413  
 1.800.872.1608 www.WorthingtonMillwork.com

DWG NO: 50-214		DWG TITLE: BRACKET	
DWG BY:	DATE: 2-2-17	REV. 2	ITEM NO: 50-214
	REV. 1	REV. 3	
FILED UNDER: DRAWINGS	SCALE: SEE ABOVE	DIM. TOLERANCE: N.A.	
ALL ITEMS ARE DRAWN FOR PRESENTATION PURPOSES ONLY, THEREFORE IMAGE SHOWN MAY VARY SLIGHTLY FROM FINISHED ACTUAL PART. DRAWING SHOWN IS TO INDICATE GENERAL ARRANGEMENT AND DESIGN. WORTHINGTON RESERVES THE RIGHT TO CHANGE ANY PRODUCT DESIGN WITHOUT NOTIFICATION.			
<b>1.0</b>			