

# 25-100 KIT FOR INSTALLING RAILINGS TO NEWEL POST

**HARDWARE**

**BRACKETS**

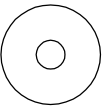
**INSTALLATION**



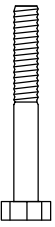
(8) - 1/4" NUTS



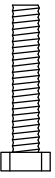
(8) - LOCK WASHERS



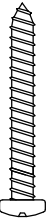
(8) - FLAT WASHERS



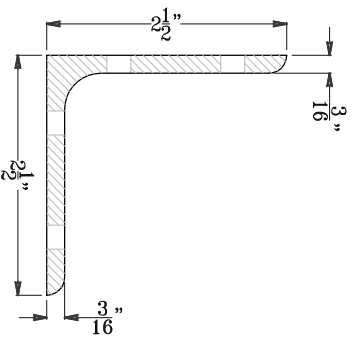
(8) - 1/4" X 2" MACHINE BOLTS



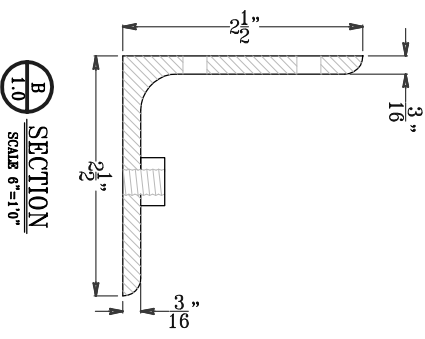
(2) - 5/16" X 1-1/2" HEX HEAD BOLTS



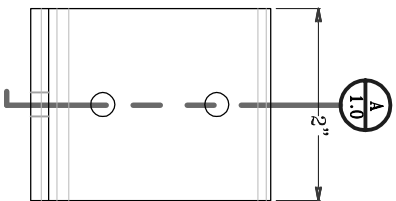
(4) - #14 - 2" SELF TAPPING SCREWS



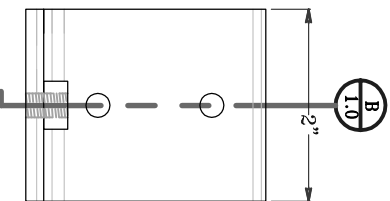
**SECTION A-A**  
SCALE 6"=1'0"



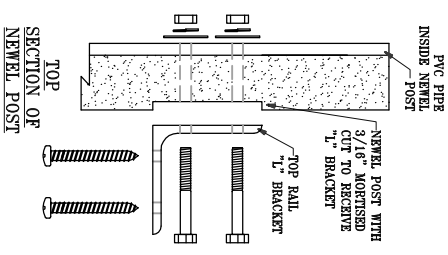
**SECTION B-B**  
SCALE 6"=1'0"



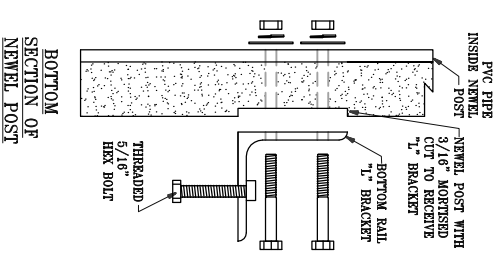
**ELEVATION -(2) TOP RAIL "L" BRACKET**  
ARCH. REF. N.A. SCALE 3"=1'0"



**ELEVATION -(2) BOTTOM RAIL "L" BRACKET**  
ARCH. REF. N.A. SCALE 3"=1'0"



**TOP SECTION OF NEWEL POST**



**BOTTOM SECTION OF NEWEL POST**



**WORTHINGTON**  
YOUR ONLY SOURCE FOR FINE ARCHITECTURAL DETAILS

17842 ASHLEY DRIVE, SUITE C  
PANAMA CITY BEACH, FL 32413  
PHONE: 800-872-1608 FAX: 850-640-0488  
WEBSITE: WORTHINGTONMILLWORK.COM

DWG NO: 25-100

DWG TITLE: INSTALLATION KIT TO ATTACH RAIL TO NEWEL POST

DWG BY:

DATE: 3-15-08

REV. 2

ITEM NO: 25-100

FILED UNDER: DRAWINGS

SCALE: SEE ABOVE

DIM. TOLERANCE: N.A.

ALL ITEMS ARE DRAWN FOR PRESENTATION PURPOSES ONLY. THEREFORE IMAGE SHOWN MAY VARY SLIGHTLY FROM FINISHED ACTUAL PART. DRAWING SHOWN IS TO INDICATE GENERAL ARRANGEMENT AND DESIGN.

1.0