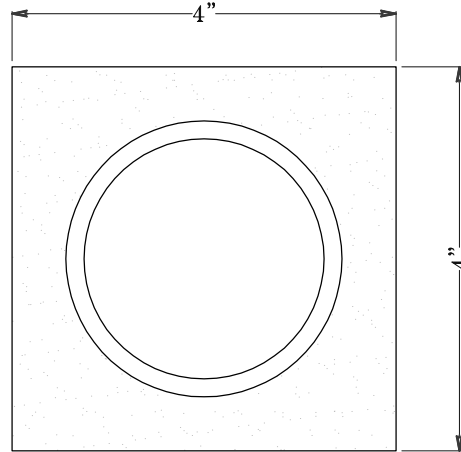
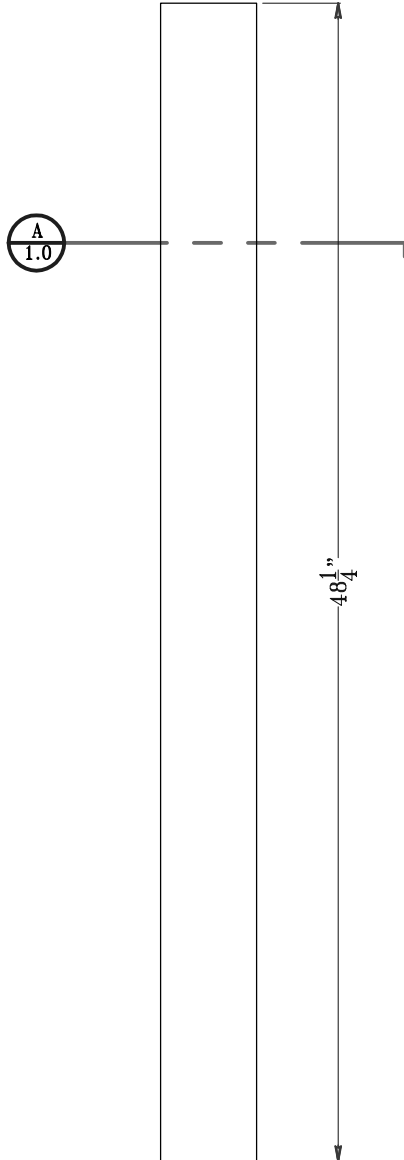


Customer Signature:

Date:

NOTE: MEASUREMENTS TAKEN FROM PRODUCTION PATTERN.  
FINISHED PART MAY VARY SLIGHTLY FROM DRAWING.



**SECTION -PLAIN NEWEL POST**  
ARCH. REF. N.A. SCALE 3"=1'0"

**ELEVATION -PLAIN NEWEL POST**

ARCH. REF. N.A. SCALE 1-1/2"=1'0"



105 Church Lane  
Red Lion, PA 17356  
Ph. (717) 246-1948 or (877) 396-1777  
Fax (717) 244-8187  
Visit our website at: apexurethanemillwork.com

DWG NO: 22-140		DWG TITLE: 4" PLAIN NEWEL POST	
DATE: 11-21-08	REV. 2	ITEM NO: 22-140	
REV. 1	REV. 3		
FILED UNDER: DRAWINGS	SCALE: SEE ABOVE	DIM. TOLERANCE: N.A.	

ALL ITEMS ARE DRAWN FOR PRESENTATION PURPOSES ONLY, THEREFORE IMAGE SHOWN MAY VARY SLIGHTLY FROM FINISHED ACTUAL PART. DRAWING SHOWN IS TO INDICATE GENERAL ARRANGEMENT AND DESIGN. APEX RESERVES THE RIGHT TO CHANGE ANY PRODUCT DESIGN WITHOUT NOTIFICATION.

1.0