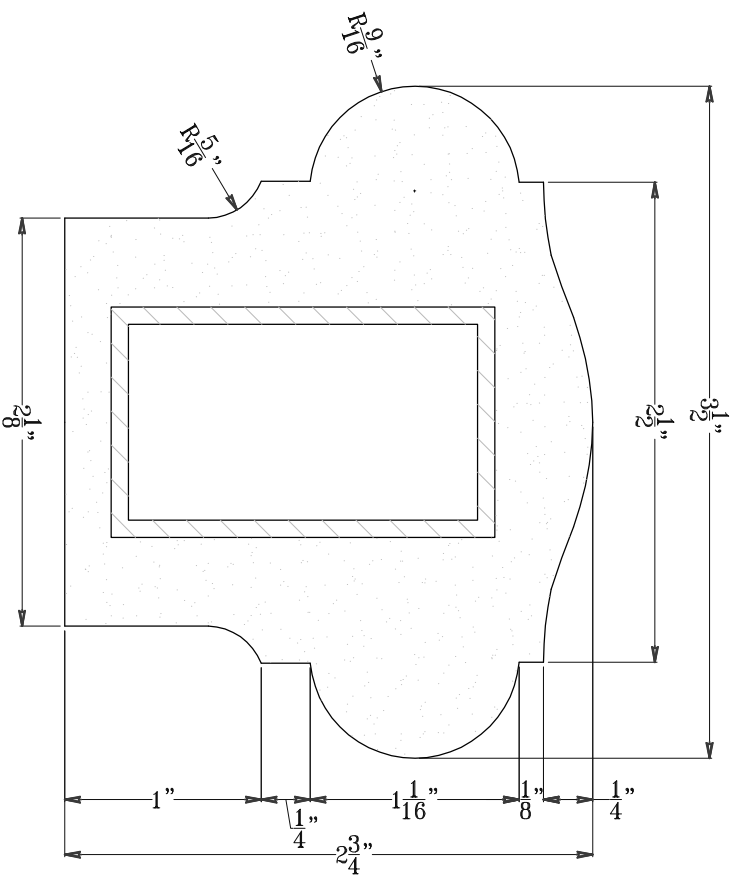


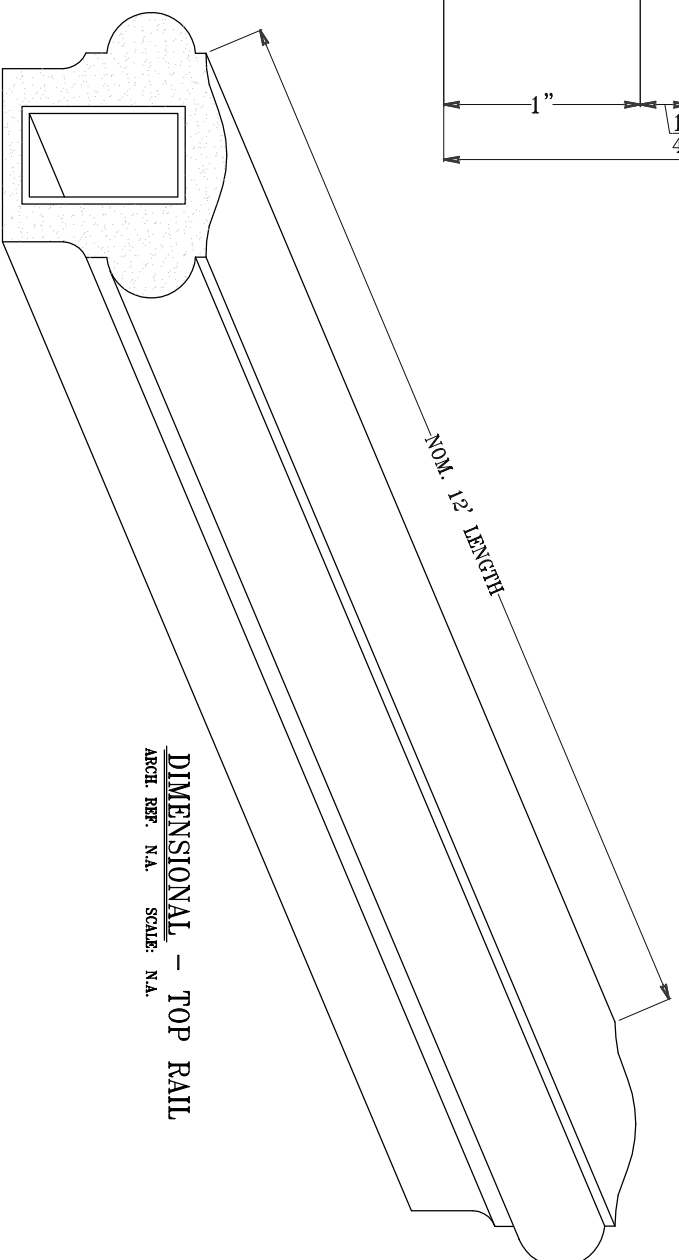
Customer Signature:

Date:



END VIEW - TOP RAIL
 ARCH. REF. N.A. SCALE: FULL

NOTE: MEASUREMENTS TAKEN FROM CUSTOMER SUPPLIED DRAWING.
 NEW CUSTOM PART. FINISHED PART MAY VARY SLIGHTLY FROM DRAWING.
 ALL MEASUREMENTS MUST BE VERIFIED BY CUSTOMER.
 SIZE OF STEEL PIPE INSIDE OF RAIL MAY VARY.



DIMENSIONAL - TOP RAIL
 ARCH. REF. N.A. SCALE: N.A.

WORTHINGTON®
 American Made Architectural Products
 17842 Ashley Drive Suite C | Panama City Beach, FL
 1.800.872.1608 | www.Worthingtonmillwork.com

DWG NO: 21-120-12		DWG TITLE: BUILDERS ARCH MILLWORK - TOP RAIL	
DWG BY:	DATE: 7-26-08	REV. 2	ITEM NO: 21-120-12
	REV. 1	REV. 3	
FILED UNDER: DRAWINGS		SCALE: SEE ABOVE	DIM. TOLERANCE: N.A.
ALL ITEMS ARE DRAWN FOR PRESENTATION PURPOSES ONLY. THEREFORE IMAGE SHOWN MAY VARY SLIGHTLY FROM FINISHED ACTUAL PART. DRAWING SHOWN IS TO INDICATE GENERAL ARRANGEMENT AND DESIGN			
			1.0