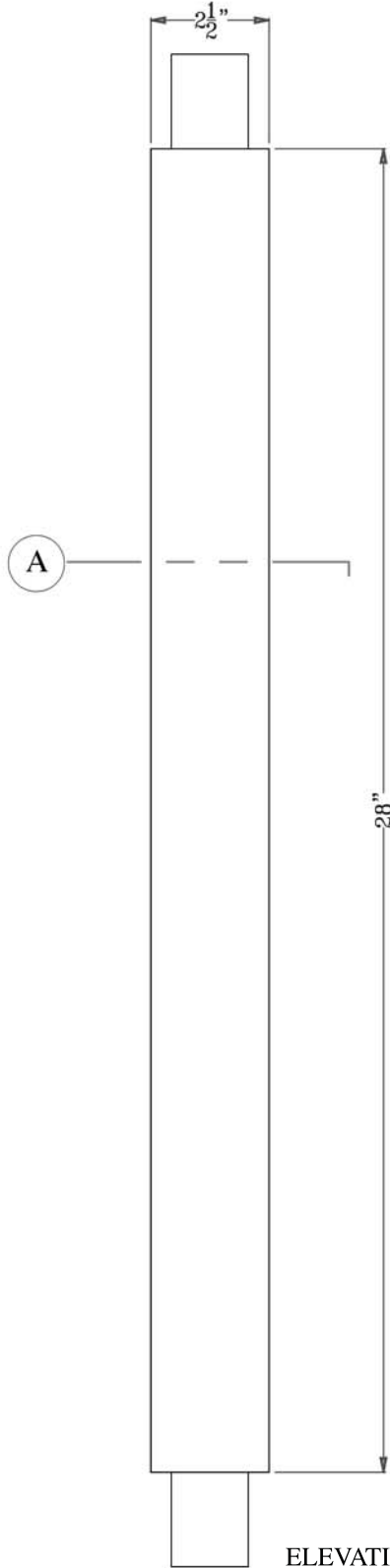


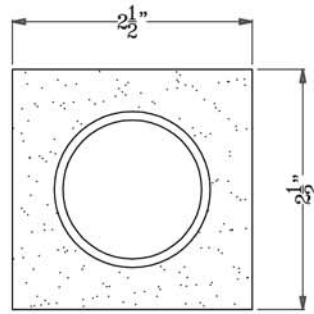
CUSTOMER SIGNATURE:

DATE:



ELEVATION - SQ. BALUSTER

NOTE: MEASUREMENTS TAKEN FROM PRODUCTION PART.  
BALUSTER CONTAINS A NOMINAL 1-5/8" DIAMETER  
STEEL PIPE THAT EXTENDS APPROX. 1-3/4"  
BEYOND THE ENDS OF THE BALUSTER.



A SQUARE BALUSTER

NOTE: BALUSTER CAN BE USED WITH BOTH 3-5/8"  
AND 5-1/2" BALUSTRADE SYSTEMS.



10175 FORTUNE PARKWAY, SUITE 502  
JACKSONVILLE, FL 32256  
PHONE: 1 - 800 - 872 - 1608 OR 904 - 281 - 1485  
FAX: 904 - 281 - 1488 [WorthingtonMillwork.com](http://WorthingtonMillwork.com)

DWG TITLE: 2-1/2" SQUARE BALUSTER

PRODUCT NO: 20-231-28

DATE: 28-08-07

DRAWN BY: RZ

DIM. TOLERANCE: N.A.

ALL RIGHTS RESERVED. THIS DRAWING IS THE PROPERTY OF WORTHINGTON GROUP, LTD. AND MAY BE USED ONLY IN CONJUNCTION WITH CONSTRUCTION PROJECTS UTILIZING WORTHINGTON GROUP, LTD. PRODUCTS. THIS DETAIL MAY NOT APPLY TO ALL CONDITIONS OR CONSTRUCTION SITUATIONS. FOR NON-TYPICAL CONDITIONS, CONSULT WORTHINGTON GROUP LTD