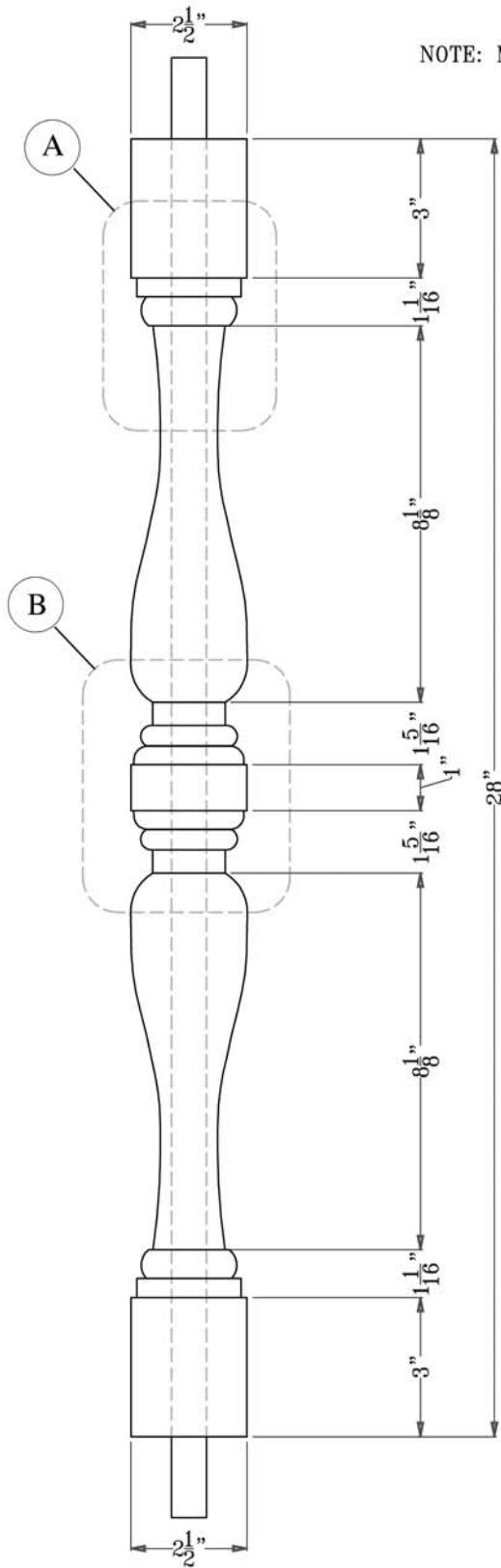


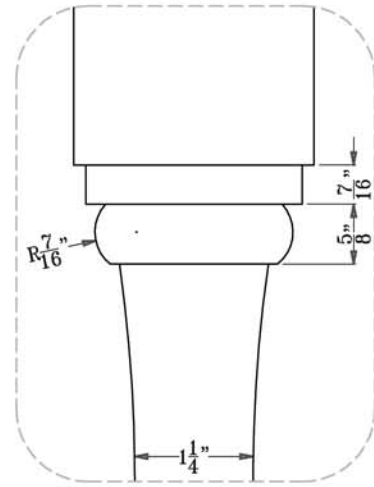
CUSTOMER SIGNATURE:

DATE:

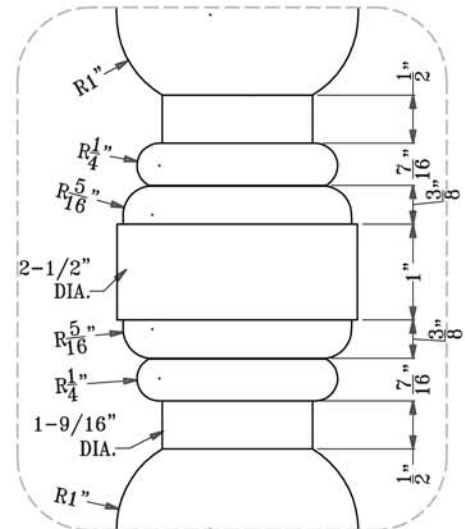
NOTE: MEASUREMENTS TAKEN FROM PRODUCTION PART.



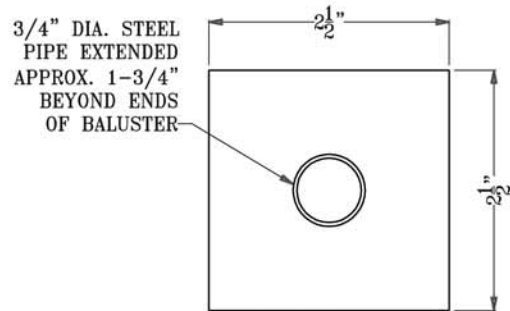
ELEVATION - BALUSTER



A DETAIL - BALUSTER



B DETAIL - BALUSTER



END VIEW - BALUSTER



10175 FORTUNE PARKWAY, SUITE 502
 JACKSONVILLE, FL 32256
 PHONE: 1 - 800 - 872 - 1608 OR 904 - 281 - 1485
 FAX: 904 - 281 - 1488 WorthingtonMillwork.com

DWG TITLE: BALUSTER FOR 3-5/8" SYSTEM

PRODUCT NO: 20-100-28

DATE: 28-08-07

DRAWN BY: RZ

DIM. TOLERANCE: N.A.

ALL RIGHTS RESERVED. THIS DRAWING IS THE PROPERTY OF WORTHINGTON GROUP, LTD. AND MAY BE USED ONLY IN CONJUNCTION WITH CONSTRUCTION PROJECTS UTILIZING WORTHINGTON GROUP, LTD. PRODUCTS. THIS DETAIL MAY NOT APPLY TO ALL CONDITIONS OR CONSTRUCTION SITUATIONS. FOR NON-TYPICAL CONDITIONS, CONSULT WORTHINGTON GROUP LTD